



**OFFICE ADDRESS :**

**SEVEN STAR LIGHTING**

217, Kohinoor Complax,  
Ravaper - Canal Chokdi, Morbi -363641

••••

**FACTORY ADDRESS :**

**LAXEN LED**

Sr. No. 04, Bagathala - Biliya Road,  
Biliya, Morbi, Gujarat -363641

••••

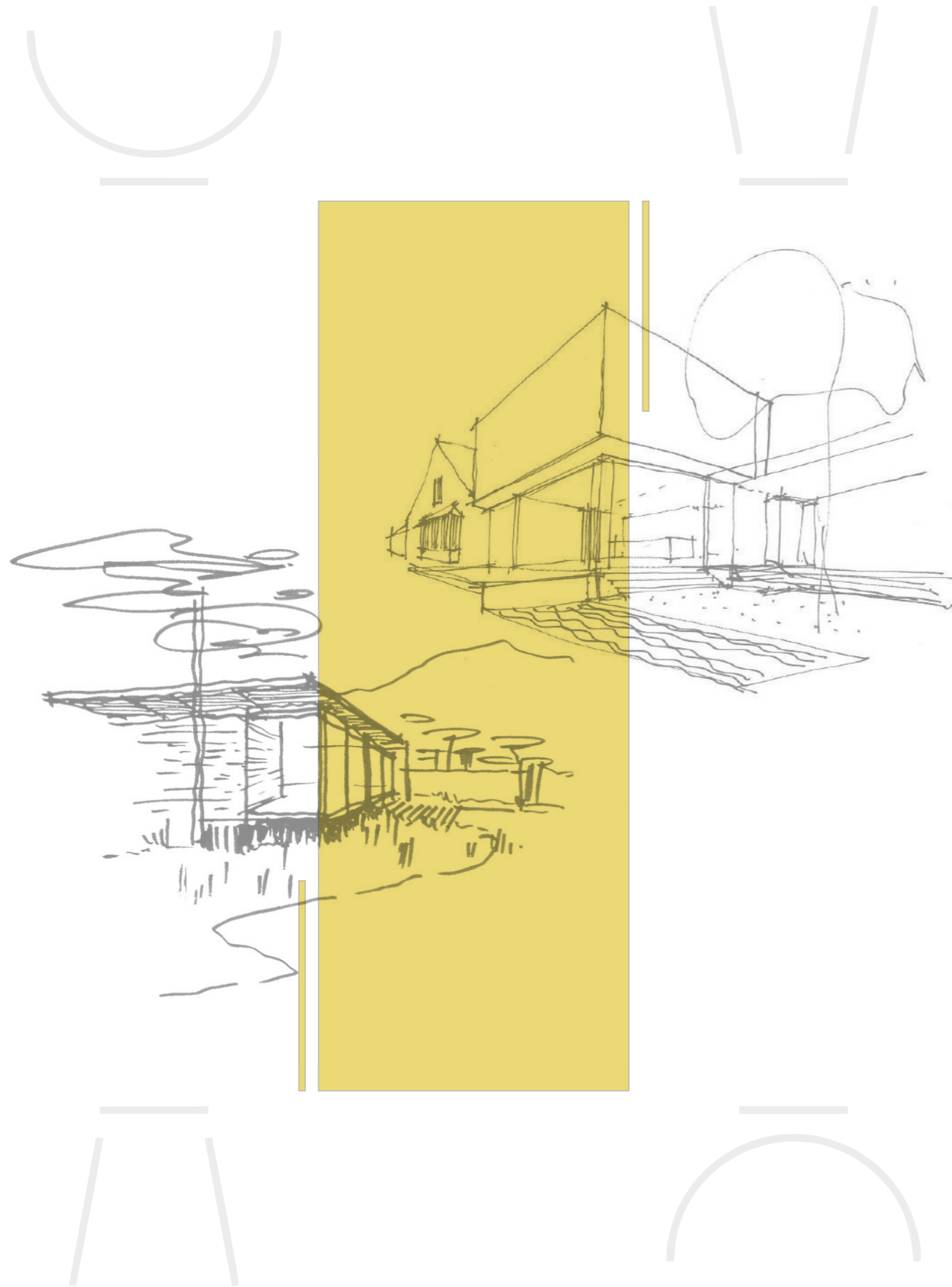
+91 99099 74746

[laxenled@gmail.com](mailto:laxenled@gmail.com) | [www.laxenled.com](http://www.laxenled.com)



ENHANCE  
THE  
INTERIOR

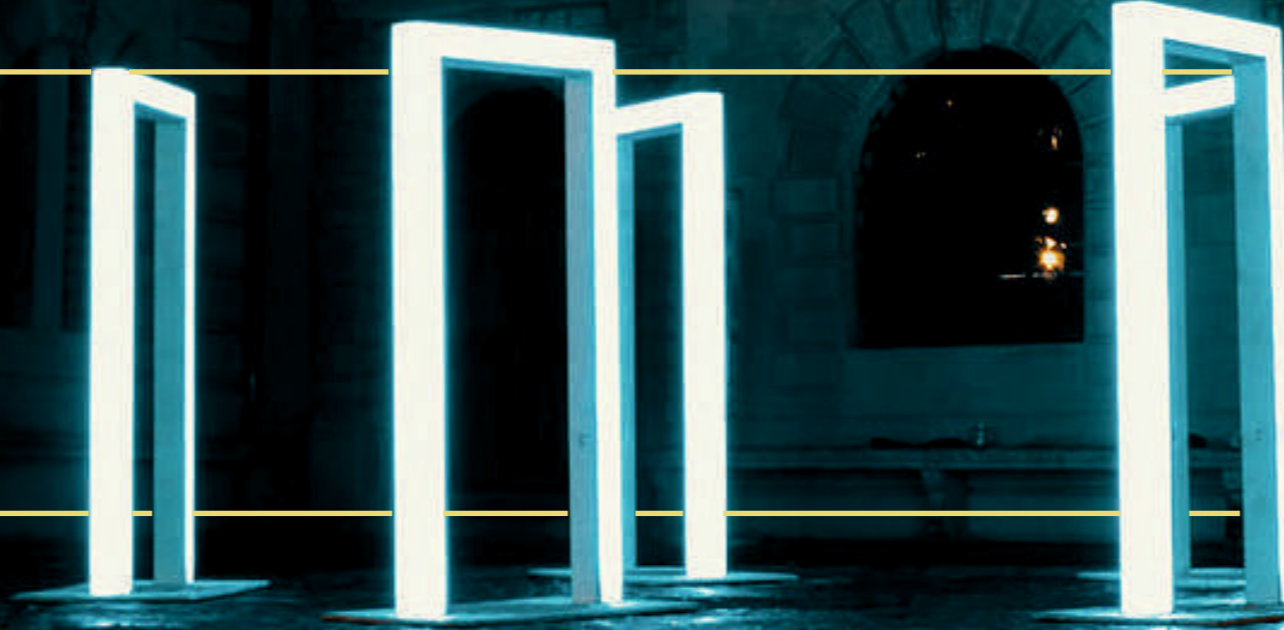
[www.laxenled.com](http://www.laxenled.com)



Laxened Group has evolved in the last two decades as a leading manufacturer of switchgear products & has attained a formidable reputation. Today, Laxened is a sought after name among multinational giants in the electrical industry. Shifting gears from switchgear manufacturing, Laxened is now part of the national movement i.e. "make in India" & the area laxened has chosen for generating electricity has been done by conserving electricity through laxened-lights, A range of products with a great technological advantage.

# BE BOLD BE BRIGHT

Laxened led is an iso 9001-2000 company & our new-generation energy-saving products are user-friendly & have a long life of up to 20 years, which is capable of saving power up to 86% compared to other existing lights



# THE FUTURE IS HERE



Lorem Ipsum is simply dummy text of the printing and typesetting industry. Lorem Ipsum has been the industry's standard dummy text ever since the 1500s, when an unknown printer took a galley of type and scrambled it to make a type specimen book. It has survived not only five centuries.

# INDOOR LIGHTING

Lorem Ipsum is simply dummy text of the printing and typesetting industry. Lorem Ipsum has been the industry's standard dummy text ever since the 1500s, when an unknown printer took a galley of type and scrambled it to make a type specimen book. It has survived not only five centuries.





PANEL LIGHT

# 6W/12W HEAVEN PANEL

## Features

- These Modern general lighting fixture produce highly efficient, aesthetically pleasing diffused light with minimal glare pasting diffused light with minimal glare pasting
- Long life led source, up to 50,000 hours
- Wide operating voltage range 110 to 300VAC
- A perfect replacement for 72w CFL/FTL luminair
- IP-40 ingress protection ensures appropriate protection from dust and insect

## Available Features

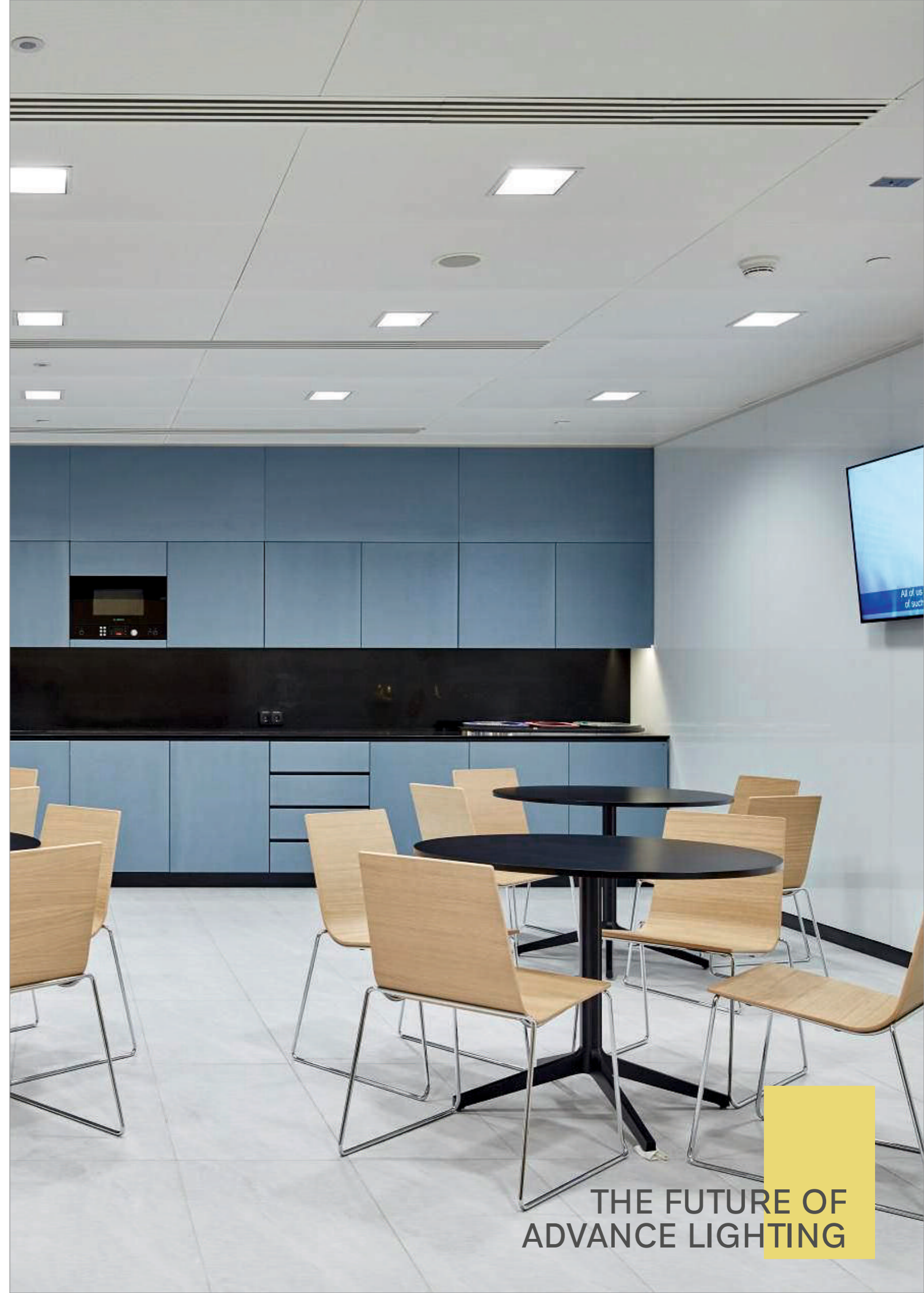


## Applications



## Product Specifications

WATT	6 WATT		12 WATT	
	ROUND	SQUARE	ROUND	SQUARE
INPUT VOLTAGE	AC 230V(85-265V)		AC 230V(85-265V)	
POWER FACTOR	> 0.9		> 0.9	
LUMENS	90L/W		90L/W	
BEAM ANGLE	120		120	
DIMENSION	116x25MM	116x25MM	170x25MM	170x25MM
CUT SIZE	105 MM	105 MM	160 MM	160 MM
COLOUR TEMPERATURE	6000K	6000K	6000K	6000K
	4000K	4000K	4000K	4000K
BODY COLOUR	PKW		PKW	
LED	EPISTAR		EPISTAR	



THE FUTURE OF  
ADVANCE LIGHTING



PANEL LIGHT

# 10W/15W MARVEL PANEL

## Features

- These Modern general lighting fixture produce highly efficient, aesthetically pleasing diffused light with minimal glare pasting diffused light with minimal glare pasting
- Long life led source, up to 50,000 hours
- Wide operating voltage range 110 to 300VAC
- A perfect replacement for 72w CFL/FTL luminair
- IP-40 ingress protection ensures appropriate protection from dust & insect

## Available Features



## Applications



## Product Specifications

WATT	10 WATT		15 WATT	
	ROUND	SQUARE	ROUND	SQUARE
INPUT VOLTAGE	AC 230V(85-265V)		AC 230V(85-265V)	
POWER FACTOR	> 0.9		> 0.9	
LUMENS	90L/W		90L/W	
BEAM ANGLE	120		120	
DIMENSION	142x40MM	142x40MM	168x40MM	168x40MM
CUT SIZE	125 MM	125 MM	150 MM	150 MM
COLOUR TEMPERATURE	6000K	6000K	6000K	6000K
	4000K	4000K	4000K	4000K
BODY COLOUR	PKW		PKW	
LED	EPISTAR		EPISTAR	



THE FUTURE OF  
ADVANCE LIGHTING



PANEL LIGHT

# 10W/16W PEDRA PANEL

## Features

- These Modern general lighting fixture produce highly efficient, aesthetically pleasing diffused light with minimal glare pasting diffused light with minimal glare pasting
- Long life led source, up to 50,000 hours
- Wide operating voltage range 110 to 300VAC
- A perfect replacement for 72w CFL/FTL luminair
- IP-40 ingress protection ensures appropriate protection from dust and insect

## Available Features



## Applications



## Product Specifications

WATT	10 WATT		16 WATT	
	ROUND	SQUARE	ROUND	SQUARE
INPUT VOLTAGE	AC 230V(85-265V)		AC 230V(85-265V)	
POWER FACTOR	> 0.9		> 0.9	
LUMENS	90L/W		90L/W	
BEAM ANGLE	120		120	
DIMENSION	145x36MM	145x36MM	168x36MM	168x36MM
CUT SIZE	125 MM	125 MM	155 MM	155 MM
COLOUR TEMPERATURE	6000K	6000K	6000K	6000K
	4000K	4000K	4000K	4000K
BODY COLOUR	PKW		PKW	
LED	EPISTAR		EPISTAR	



THE FUTURE OF  
ADVANCE LIGHTING





PANEL LIGHT

3W/6W/12W/18W

# PANEL STAR

## Features

- These Modern general lighting fixture produce highly efficient, aesthetically pleasing diffused light with minimal glare pasting diffused light with minimal glare pasting
- Long life led source, up to 50,000 hours
- Wide operating voltage range 110 to 300VAC
- A perfect replacement for 72w CFL/FTL luminair
- IP-40 ingress protection ensures appropriate protection from dust and insect

## Available Features



## Applications



## Product Specifications

WATT	3 WATT		6 WATT		12 WATT		18 WATT	
	ROUND	SQUARE	ROUND	SQUARE	ROUND	SQUARE	ROUND	SQUARE
INPUT VOLTAGE	AC 230V(85-265V)		AC 230V(85-265V)		AC 230V(85-265V)		AC 230V(85-265V)	
POWER FACTOR	> 0.9		> 0.9		> 0.9		> 0.9	
LUMENS	90L/W		90L/W		90L/W		90L/W	
BEAM ANGLE	120		120		120		120	
DIMENSION	89x19 MM		115x19 MM		170x19 MM		225x19 MM	
CUT SIZE	75 MM		105 MM		160 MM		210 MM	
COLOUR TEMPERATURE	6000K	6000K	6000K	6000K	6000K	6000K	6000K	6000K
	4000K	4000K	4000K	4000K	4000K	4000K	4000K	4000K
BODY COLOUR	PKW		PKW		PKW		PKW	
LED	EPISTAR		EPISTAR		EPISTAR		EPISTAR	



THE FUTURE OF  
ADVANCE LIGHTING



# SURFACE LIGHT

## Features

- These Modern general lighting fixture produce highly efficient, aesthetically pleasing diffused light with minimal glare pasting diffused light with minimal glare pasting
- Long life led source, up to 50,000 hours
- Wide operating voltage range 110 to 300VAC
- A perfect replacement for 72w CFL/FTL luminair
- IP-40 ingress protection ensures appropriate protection from dust and insect

## Available Features



## Applications



## Product Specifications

WATT	15 WATT
SHAPE	ROUND/SQUARE
VOLTAGE	AC 85-260V
DIMENTION	140x25 MM
COLOUR	6000K/4000K
BODY COLOUR	WHITE
LUMENS	90LM/WATT
BEAM ANGLE	120°
POWER FACTOR	>0.95



THE FUTURE OF  
ADVANCE LIGHTING



DOWN LIGHT

# 6W/12W/18W DUSTER DOWN LIGHT

## Features

- Housing is made of aluminum die cast with epoxy polyester powder coating
- Aesthetically designed bottom rim, gets with the ceiling
- Optimized heat management by aluminum heat sink for ensuring consistent performance
- Voltage surge protection upto 2.5KV
- Hassle free operation with very low maintenance
- Upto 60% power saving compared to conventional lighting

## Available Features



## Applications

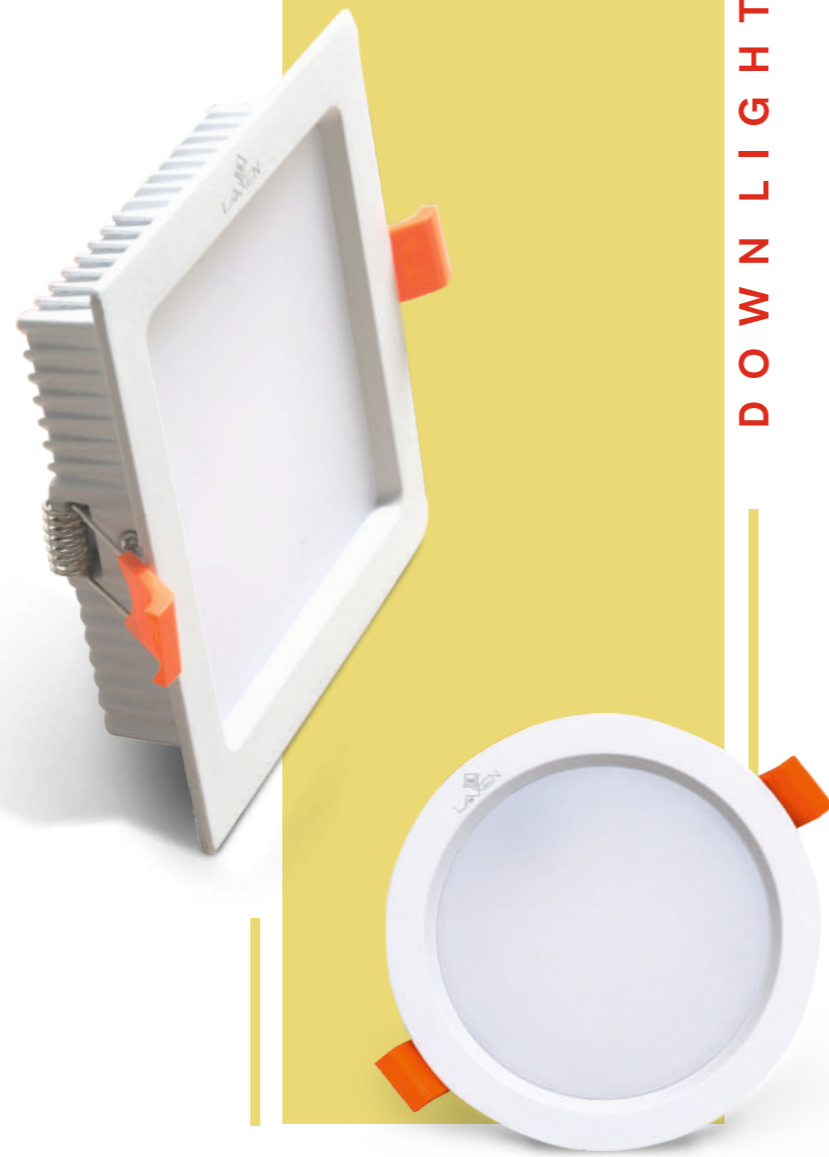


## Product Specifications

WATT	6 WATT	12 WATT	18 WATT
SHAPE	ROUND	ROUND	ROUND
INPUT VOLTAGE	AC 230V(85-265V)	AC 230V(85-265V)	AC 230V(85-265V)
POWER FACTOR	> 0.9	> 0.9	> 0.9
LUMENS	90L/W	90L/W	90L/W
BEAM ANGLE	120	120	120
DIMENSION	98x40 MM	115x50 MM	145x50 MM
CUT SIZE	50 MM	100 MM	115 MM
COLOUR TEMPERATURE	6000K	6000K	6000K
	4000K	4000K	4000K
BODY COLOUR	PKW	PKW	PKW
LED	EPISTAR	EPISTAR	EPISTAR



THE FUTURE OF  
ADVANCE LIGHTING



DOWN LIGHT

# 7W/16W/24W DARK DOWN LIGHT

### Features

- Housing is made of aluminum die cast with epoxy polyester powder coating
- Aesthetically designed bottom rim, gels with the ceiling
- Optimized heat management by aluminum heat sink for ensuring consistent performance
- Voltage surge protection upto 2.5 KV
- Hassle free operation with very low maintenance
- Upto 60% power saving compared to conventional lighting

### Available Features



### Applications

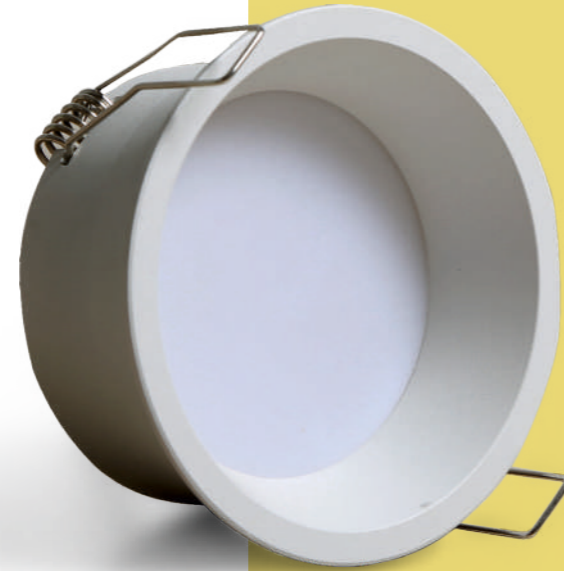


### Product Specifications

WATT	7 WATT		16 WATT		24 WATT	
	ROUND	SQUARE	ROUND	SQUARE	ROUND	SQUARE
INPUT VOLTAGE	AC 230V(85-265V)		AC 230V(85-265V)		AC 230V(85-265V)	
POWER FACTOR	> 0.9		> 0.9		> 0.9	
LUMENS	90L/W		90L/W		90L/W	
BEAM ANGLE	120		120		120	
DIMENSION	90x30 MM		120x30 MM		170x30 MM	
CUT SIZE	80 MM		110 MM		160 MM	
COLOUR TEMPERATURE	6000K	6000K	6000K	6000K	6000K	6000K
	4000K	4000K	4000K	4000K	4000K	4000K
BODY COLOUR	PKW		PKW		PKW	
LED	EPISTAR		EPISTAR		EPISTAR	



THE FUTURE OF  
ADVANCE LIGHTING



DOWN LIGHT

# COB DOWN LIGHT

## Features

- Classic down light of laxen include a next generation LED package.
- LED is been mounted on aluminum PCB which ensure proper heat dissipation
- To achieve glare reduction and proper light distribution, Lexen have used high performance PMMA reflector.
- Wide operating voltage range 110V-300V AC
- 2.5 KV surge protection
- PF ≥ 0.9

## Available Features



## Applications



## Product Specifications

WATT	7 WATT	12 WATT	20 WATT
SHAPE	ROUND	ROUND	ROUND
INPUT VOLTAGE	AC 230V(85-265V)	AC 230V(85-265V)	AC 230V(85-265V)
POWER FACTOR	> 0.9	> 0.9	> 0.9
LUMENS	90L/W	90L/W	90L/W
BEAM ANGLE	120	120	120
DIMENSION	98 x 40mm	115 x 50mm	145 x 50mm
CUT SIZE	50mm	100mm	115mm
COLOUR TEMPERATURE	6000K	6000K	6000k
	4000K	4000K	4000K
BODY COLOUR	PKW	PKW	PKW
LED	EPISTAR	EPISTAR	EPISTAR



THE FUTURE OF  
ADVANCE LIGHTING



DOWN LIGHT

# DEEP DOWN LIGHT

## Features

- Classic down light of laxen include a next generation LED package.
- LED is been mounted on aluminum PCB which ensure proper heat dissipation
- To achieve glare reduction and proper light distribution, Lexen have used high performance PMMA reflector.
- Wide operating voltage range 110V-300V AC
- 2.5 KV surge protection
- PF ≥ 0.9

## Available Features

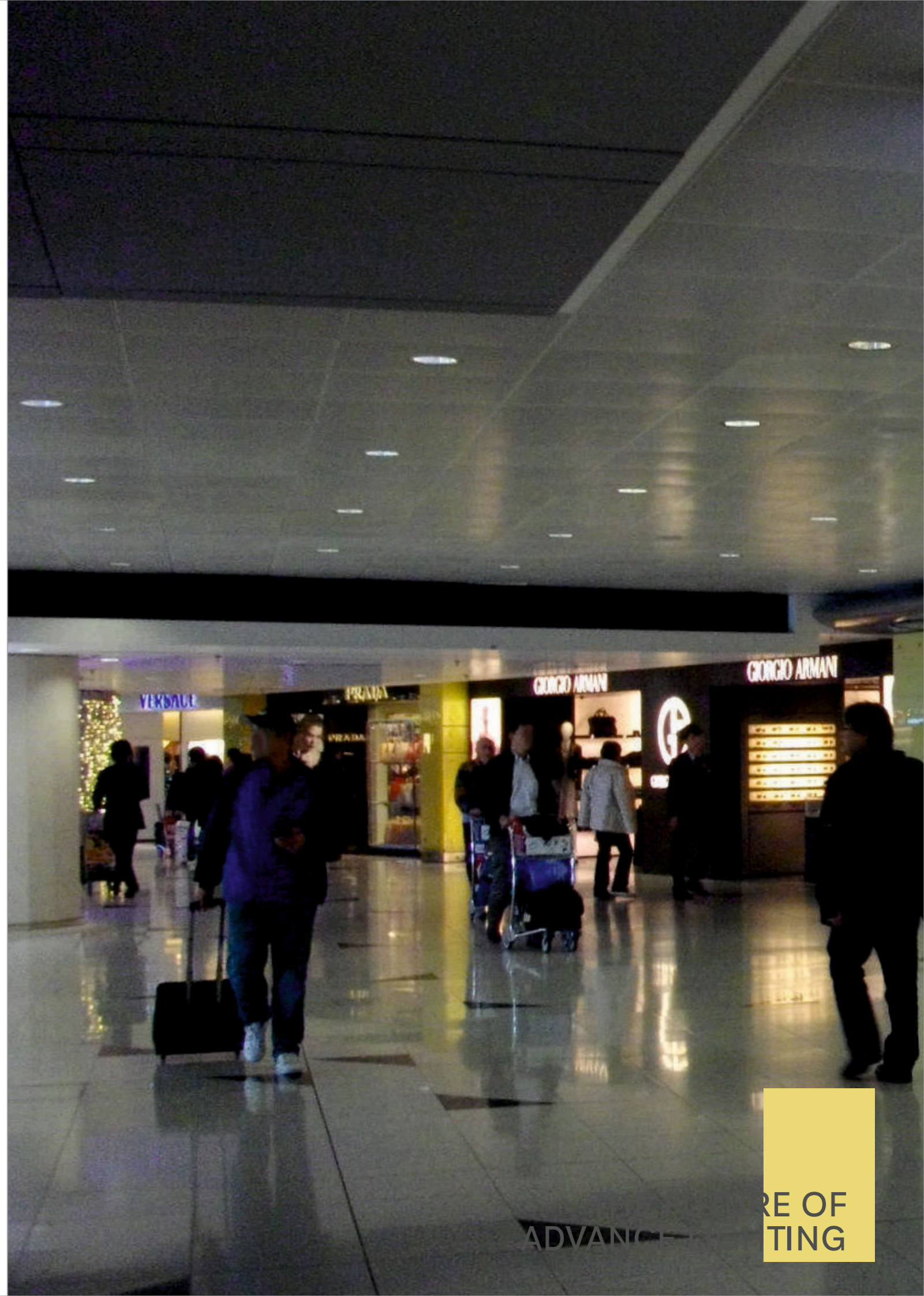


## Applications



## Product Specifications

WATT	12 WATT		18 WATT	
SHAPE	ROUND		ROUND	
INPUT VOLTAGE	AC 230V(85-265V)		AC 230V(85-265V)	
POWER FACTOR	> 0.9		> 0.9	
LUMENS	90L/W		90L/W	
BEAM ANGLE	120		120	
DIMENSION	118x50 MM		153x50 MM	
CUT SIZE	108 MM		145 MM	
COLOUR TEMPERATURE	6000K	6000K	6000K	6000K
	4000K	4000K	4000K	4000K
BODY COLOUR	PKW		PKW	
LED	EPISTAR		EPISTAR	



ADVANCE  
RE OF  
TING



CHIP ON BOARD

# LXN777

## Features

- LAXEN used LED chip with excellent color rendering properties that increases the color fidelity of the illuminated target object
- Sleek and unique design
- High efficiency dimmable driver to match customer expectation is also available
- 2.5KV Surge Protection
- COB(Chip on Board) Technology

## Available Features



## Applications



## Product Specifications

WATT	12 WATT
SHAPE	ROUND
INPUT VOLTAGE	ac 85-265v
POWER FACTOR	> 0.95
LUMENS	90 LM/W
BEAM ANGLE	120°
DIMENSION	85x78 MM
CUT SIZE	73 MM
COLOUR TEMPERATURE	4000K/6000K
BODY COLOUR	WHITE
LED	EPISTAR
REFLECTOR	BLACK/CROME



THE FUTURE OF  
ADVANCE LIGHTING



CHIP ON BOARD

# LXN778

## Features

- LAXEN used LED chip with excellent color rendering properties that increases the color fidelity of the illuminated target object
- Sleek and unique design
- Chip on board (COB) is used in this fixture to achieve high light intensity
- Specially designed aluminum heat sink for enhanced life
- Wide operating voltage range 110V to 300V AC

## Available Features



## Applications



## Product Specifications

WATT	7 WATT	12 WATT
SHAPE	Round	ROUND
INPUT VOLTAGE	ac 85-265v	AC 85-265V
POWER FACTOR	>0.95	>0.95
LUMENS	90 LM/W	90 LM/W
BEAM ANGLE	120°	120°
DIMENSION	70x80	85x92
CUT SIZE	61 MM	77 MM
COLOUR TEMPERATURE	4000K/6000K	4000K/6000K
BODY COLOUR	WHITE/ BLACK	WHITE/ BLACK
LED	EPISTAR	EPISTAR
REFLECTOR	WHITE/ SILVER	WHITE/ SILVER
	MATT BLACK	MATT BLACK
	GLOSSY BLACK	GLOSSY BLACK



THE FUTURE OF  
ADVANCE LIGHTING





CHIP ON BOARD

# LXN3268

## Features

- LAXEN used LED chip with excellent color rendering properties that increases the color fidelity of the illuminated target object
- Sleek and unique design
- Chip on board (COB) is used in this fixture to achieve high light intensity
- Specially designed aluminum heat sink for enhanced life
- Wide operating voltage range 110V to 300V AC

## Available Features



## Applications



## Product Specifications

WATT	10 WATT	20 WATT
SHAPE	ROUND	ROUND
INPUT VOLTAGE	AC 85-265V	AC 85-265V
POWER FACTOR	>0.95	>0.95
LUMENS	90 LM/W	90 LM/W
BEAM ANGLE	120°	120°
DIMENSION	120x76	155x92
CUT SIZE	110 MM	145 MM
COLOUR TEMPERATURE	4000K	4000K
BODY COLOUR	WHITE	WHITE
LED	EPISTAR	EPISTAR
MOVABLE	YES	YES



THE FUTURE OF  
ADVANCE LIGHTING



CHIP ON BOARD

# LXN3271

## Features

- LAXEN used LED chip with excellent color rendering properties that increases the color fidelity of the illuminated target object
- Sleek and unique design
- High efficiency dimmable driver to match customer expectation is also available
- 2.5KV Surge Protection
- Chip on board (COB) Technology

## Available Features



## Applications



## Product Specifications

WATT	10 WATT
SHAPE	ROUND
INPUT VOLTAGE	AC 85-265V
POWER FACTOR	>0.95
LUMENS	90 LM/W
BEAM ANGLE	120°
DIMENSION	115x80
CUT SIZE	105 MM
COLOUR TEMPERATURE	4000K
BODY COLOUR	WHITE
LED	EPISTAR
MOVABLE	360°



THE FUTURE OF  
ADVANCE LIGHTING



CHIP ON BOARD

# LXN3162

## Features

- LAXEN used LED chip with excellent color rendering properties that increases the color fidelity of the illuminated target object
- Sleek and unique design
- Chip on board (COB) is used in this fixture to achieve high light intensity
- Specially designed aluminum heat sink for enhanced life

## Available Features



## Applications



## Product Specifications

WATT	3 WATT	
SHAPE	ROUND	SQUARE
INPUT VOLTAGE	AC 85-265V	AC 85-265 V
POWER FACTOR	>0.95	>0.95
LUMENS	90 LM/W	90LM/W
BEAM ANGLE	120°	120°
DIMENSION	45x30	45x45x30
CUT SIZE	30	30
COLOUR TEMPERATURE	4K/6K	4K/6K
BODY COLOUR	WHITE	WHITE
LED	EPISTAR	EPISTAR



THE FUTURE OF  
ADVANCE LIGHTING



CHIP ON BOARD

# LXN3292

## Features

- Wide operating voltage range 160-260V AC
- Non-Dimmable
- Voltage surge protection upto 2.5KV
- Sleek and unique design

## Available Features



## Applications



## Product Specifications

WATT	6 WATT	9 WATT	15 WATT
SHAPE	ROUND	ROUND	ROUND
INPUT VOLTAGE	AC 85-265V	AC 85-265V	AC 85-265V
POWER FACTOR	>0.95	>0.95	>0.95
LUMENS	90 LM/W	90 LM/W	90 LM/W
BEAM ANGLE	120°	120°	120°
DIMENSION	85x85x52	100*100*55	115*115*67
CUT SIZE	75 MM	85 MM	100 MM
COLOUR TEMPERATURE	4000K	4000K	4000K
BODY COLOUR	WHITE	WHITE	WHITE
LED	EPISTAR	EPISTAR	EPISTAR
MOVABLE	YES	YES	YES



THE FUTURE OF  
ADVANCE LIGHTING



CHIP ON BOARD

# LXN077

## Features

- Wide operating voltage range 160-260V AC
- Non-Dimmable
- Voltage surge protection upto 2.5KV
- Sleek and unique design

## Available Features



## Applications



## Product Specifications

WATT	5 WATT	12 WATT
SHAPE	ROUND	ROUND
INPUT VOLTAGE	AC 85-265V	AC 85-265V
POWER FACTOR	>0.95	>0.95
LUMENS	90 LM/W	90 LM/W
BEAM ANGLE	120°	120°
DIMENSION	80x50	108*70
CUT SIZE	65MM	90 MM
COLOUR TEMPERATURE	4000K	4000K
BODY COLOUR	WHITE	WHITE
LED	EPISTAR	EPISTAR



THE FUTURE OF  
ADVANCE LIGHTING



CHIP ON BOARD

# LINEAR LIGHT

## Features

- Wide operating voltage range 160-260V AC
- Non-Dimmable
- Voltage surge protection upto 2.5KV
- Sleek and unique design

## Available Features

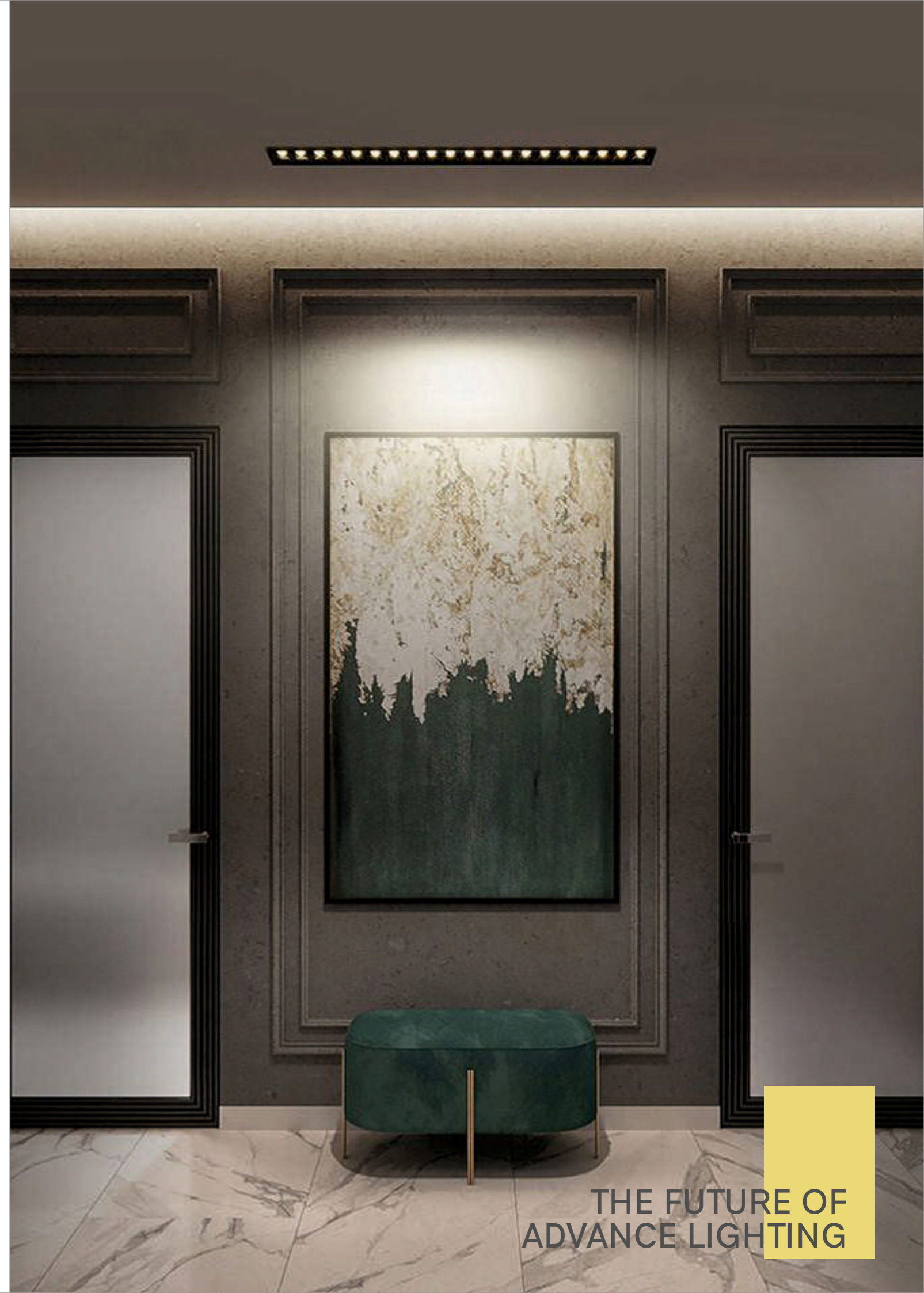


## Applications



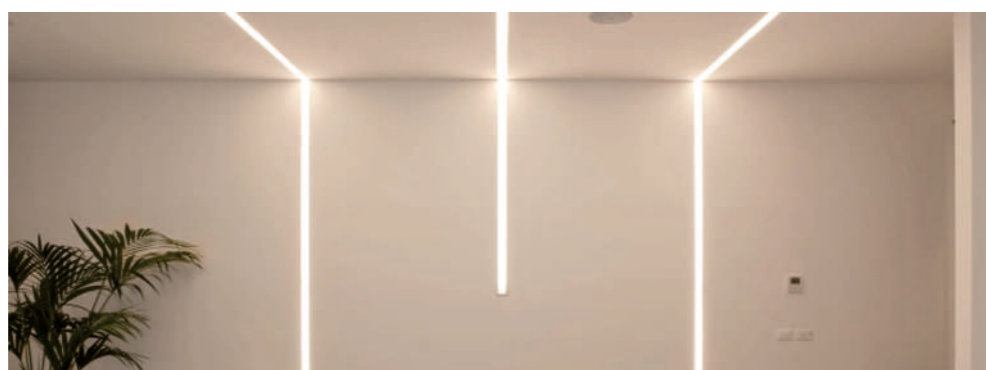
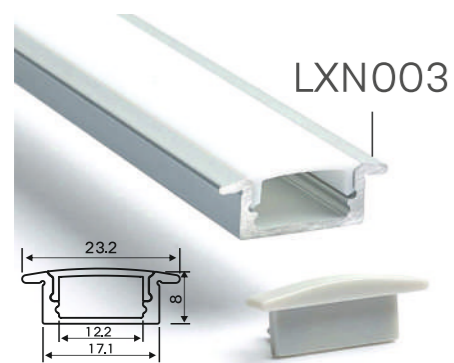
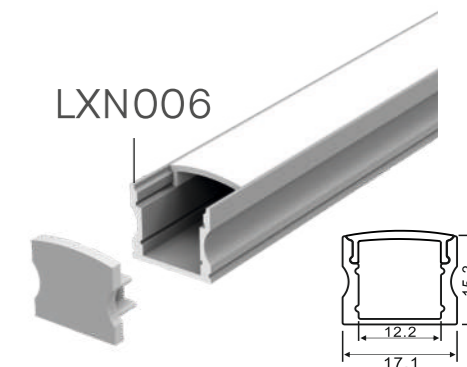
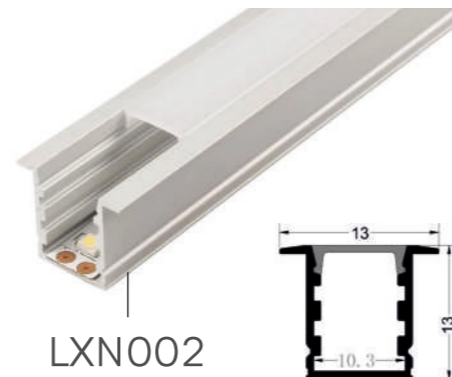
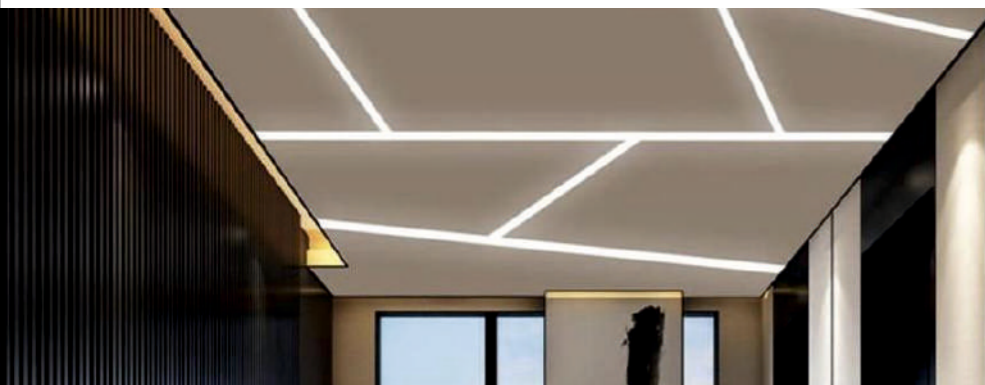
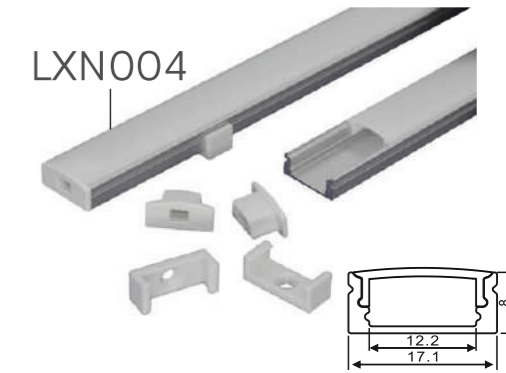
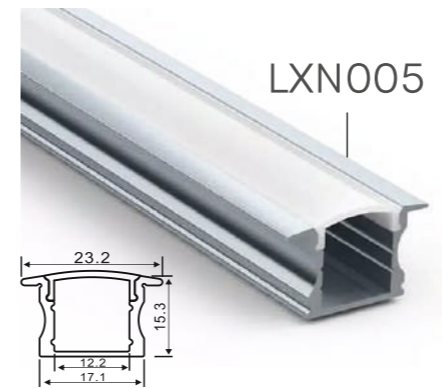
## Product Specifications

MODEL NAME	LXN 3	LXN 9	LXN 15
WATT	3 WATT	9 WATT	15 WATT
BODY SIZE	45x42	105x45x42	148x45x42
CUT SIZE	35x35	45x35	148x35
BODY COLOUR	BLACK/WHITE	BLACK/WHITE	BLACK/WHITE
CCT	3K/4K/6K	3K/4K/6K	3K/4K/6K

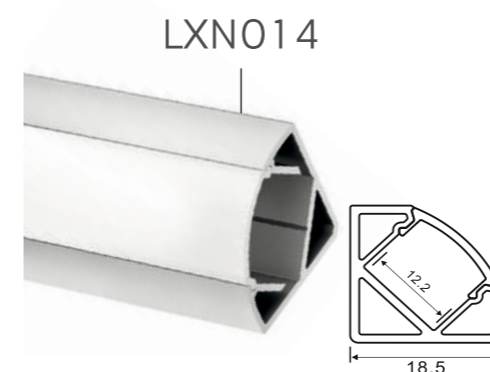
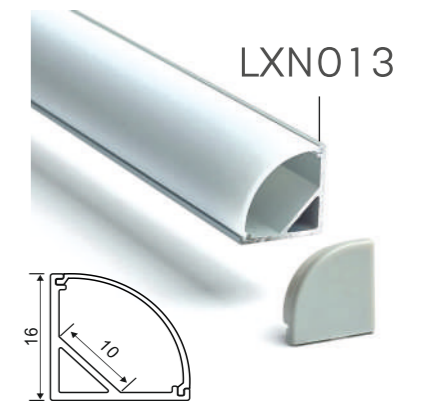
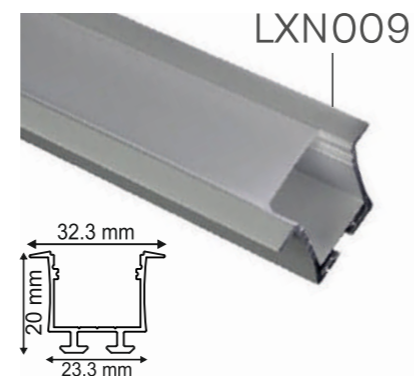
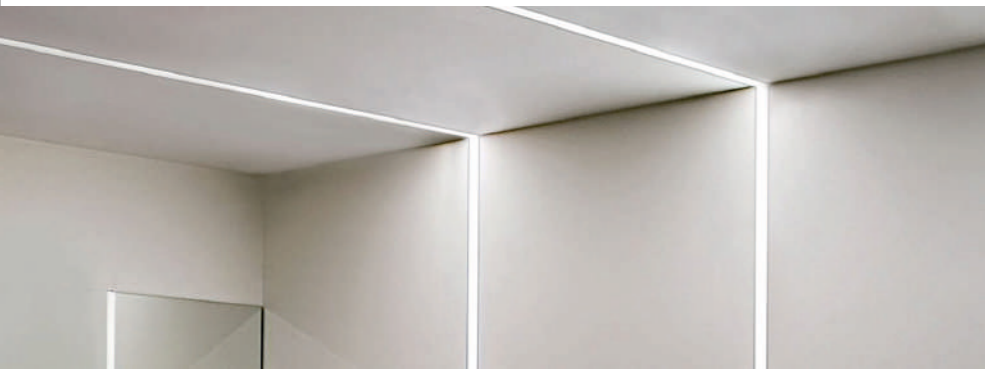
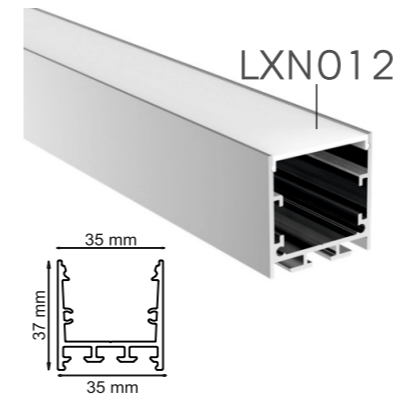
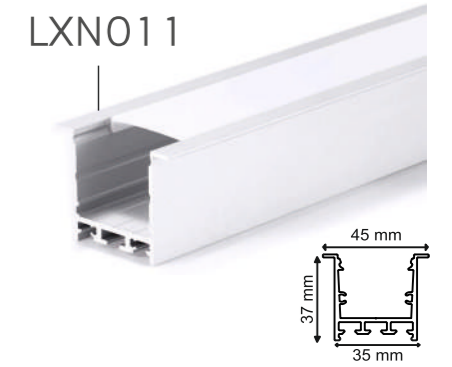
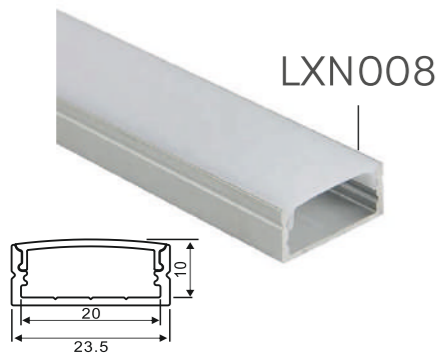


THE FUTURE OF  
ADVANCE LIGHTING

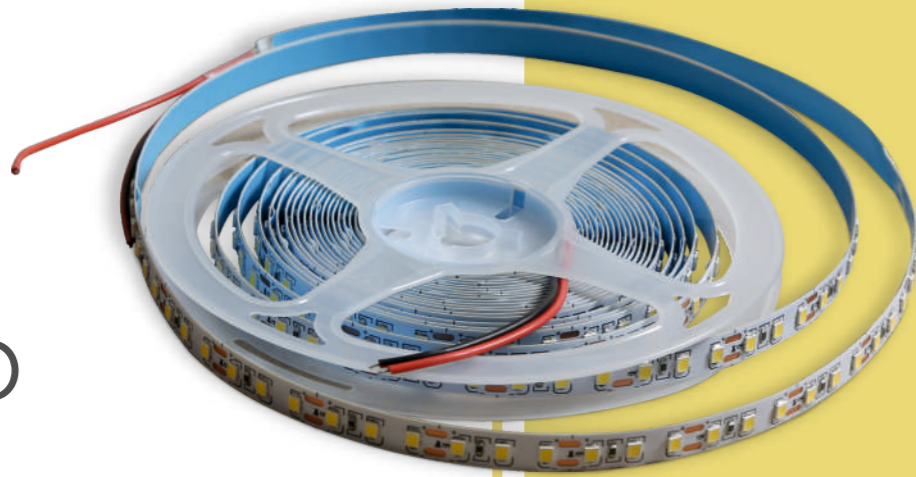
# PROFILE LIGHT



# PROFILE LIGHT







# STRIP LIGHT

## Product Specifications

MODEL NAME	STAR 5050 60	STAR 2835 120	STAR 2835 120	STAR 2835 180	STAR 2835 240
WATT	14.4	12 W	12 W	18W	24W
PCB THICKNESS	10	5	10	10	10
CUT SIZE	N/A	N/A	N/A	N/A	N/A
CCT	ALL	3K/4K/6K	3K/4K/6K	3K/4K/6K	3K/4K/6K

## Features

- 5M led strip various color option are available
- LED Wattage consumption 12W/M
- Available with IP 20 rating
- Available in 3528 & 5050

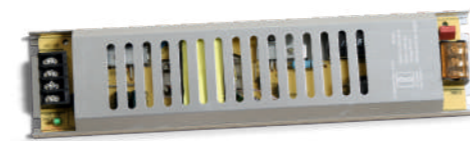
## Available Features



## Applications

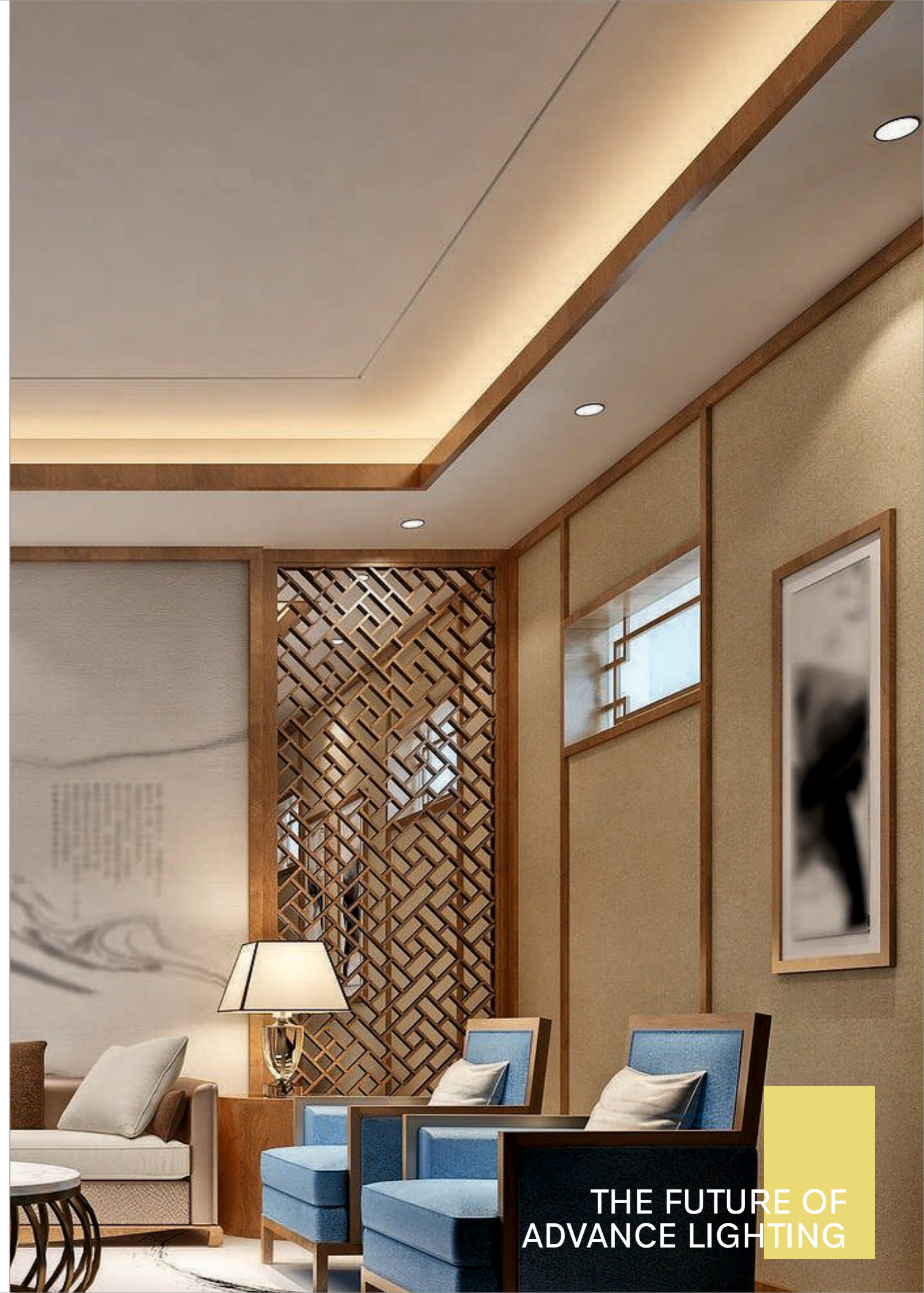


# HEAVY SMPS



## Product Specifications

MODEL NAME	LXN 1.5	LXN 3	LXN 5	LXN 10	LXN 16.5	LXN 22
POWER	18	36	60	120	198	264
CUT SIZE	N/A	N/A	N/A	N/A	N/A	N/A
SIZE	170x17x17	265x17x17	295x17x17	225x50x22	310x53x22	



THE FUTURE OF  
ADVANCE LIGHTING



# SILINDER LIGHT

## Features

- LAXEN used LED chip with excellent color rendering properties that increases the color fidelity of the illuminated target object
- Sleek and unique design
- Chip on board (COB) is used in this fixture to achieve high light intensity
- Specially designed aluminum heat sink for enhanced life
- Wide operating voltage range 110V to 300V AC

## Available Features



## Applications



## Product Specifications

MODEL NAME	LXN1727	LXN0027	LXN2727	LXN1717	LXN1700
WATT	12 WATT	7 WATT	7 WATT	12 WATT	12 WATT
CCT	4000K	4000K	4000K	4000K	4000K
BEAM ANGLE	24°	40°	40°	40°	40°
LED	EPISTAR	EPISTAR	EPISTAR	EPISTAR	EPISTAR
SIZE	85*110	68*63	80*110	50*160	80*150
BODY	BLACK	BLACK	BLACK	BLACK	BLACK
SHAPE	ROUND	ROUND	ROUND	ROUND	ROUND
REFLECTOR	BLACK	BLACK	BLACK	BLACK	BLACK
			COPPER		COPPER



THE FUTURE OF  
ADVANCE LIGHTING

# INDOOR TRACK LIGHTING

Lorem Ipsum is simply dummy text of the printing and typesetting industry. Lorem Ipsum has been the industry's standard dummy text ever since the 1500s, when an unknown printer took a galley of type and scrambled it to make a type specimen book. It has survived not only five centuries.





# LXN177

## Features

- Laxen uses LED chip with excellent color rendering properties that increases the color fidelity of the illuminated target object
- Sleek and unique design
- High efficiency dimmable driver to match customer expectation is also available
- Specially design aluminum heat sink for enhance life
- Voltage Surge protection upto2.5KV
- Wide operating voltage range 110 to 300V AC
- COB Technology (Chip on Board)

## Available Features



## Applications



## Product Specifications

WATT	30 WATT
INPUT	220-240V
CCT	6000K/4000K
MATERIAL	METAL
COLOUR	WHITE/BLACK
PF	>0.95
BEAM ANGLE	90°
LED	BRIGLUX/APISTAR
WARRANTY	3 YEAR



THE FUTURE OF  
ADVANCE LIGHTING



# LXN277

## Features

- Laxen uses LED chip with excellent color rendering properties that increases the color fidelity of the illuminated target object
- Sleek and unique design
- High efficiency dimmable driver to match customer expectation is also available
- Specially design aluminum heat sink for enhance life
- Voltage Surge protection upto2.5KV
- Wide operating voltage range 110 to 300V AC
- COB Technology (Chip on Board)

## Available Features

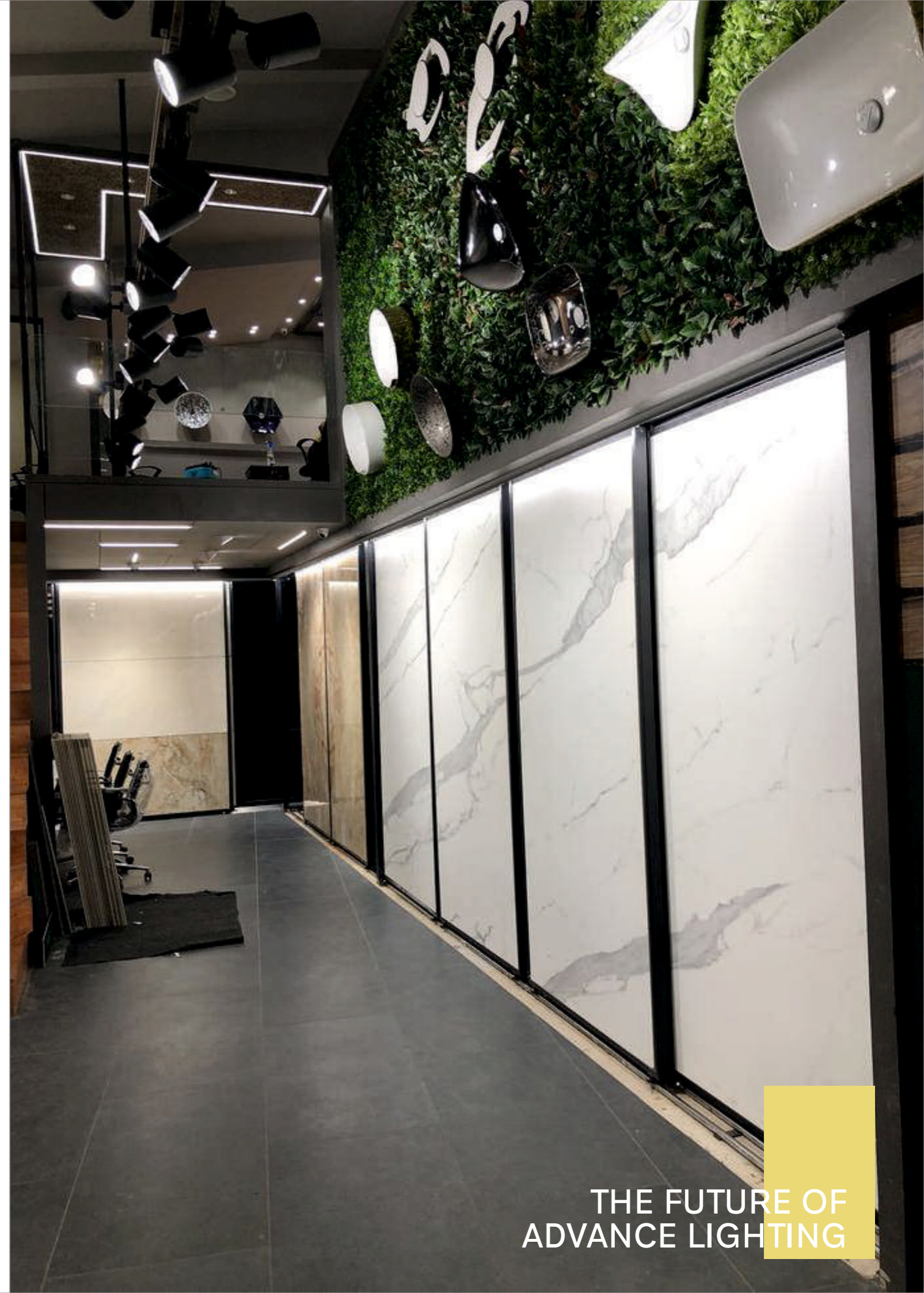


## Applications



## Product Specifications

WATT	30 WATT
INPUT	220-240V
CCT	6000K/4000K
MATERIAL	METAL
COLOUR	WHITE/BLACK
PF	>0.95
BEAM ANGLE	90°
LED	BRIGLUX/APISTAR
WARRANTY	3 YEAR



THE FUTURE OF  
ADVANCE LIGHTING



# LXN377

## Features

- Laxen uses LED chip with excellent color rendering properties that increases the color fidelity of the illuminated target object
- Sleek and unique design
- High efficiency dimmable driver to match customer expectation is also available
- Specially design aluminum heat sink for enhance life
- Voltage Surge protection upto2.5KV
- Wide operating voltage range 110 to 300V AC
- COB Technology (Chip on Board)

## Product Specifications

WATT	35 WATT
INPUT	220-240V
CCT	6000K/4000K
MATERIAL	METAL
COLOUR	WHITE/BLACK
PF	>0.95
BEAM ANGLE	90°
LED	BRIGLUX/APISTAR
WARRANTY	3 YEAR

## Available Features



## Applications



THE FUTURE OF  
ADVANCE LIGHTING



# LXN477

## Features

- Laxen uses LED chip with excellent color rendering properties that increases the color fidelity of the illuminated target object
- Sleek and unique design
- High efficiency dimmable driver to match customer expectation is also available
- Specially design aluminum heat sink for enhance life
- Voltage Surge protection upto 2.5KV
- Wide operating voltage range 110 to 300V AC
- COB Technology (Chip on Board)

## Available Features

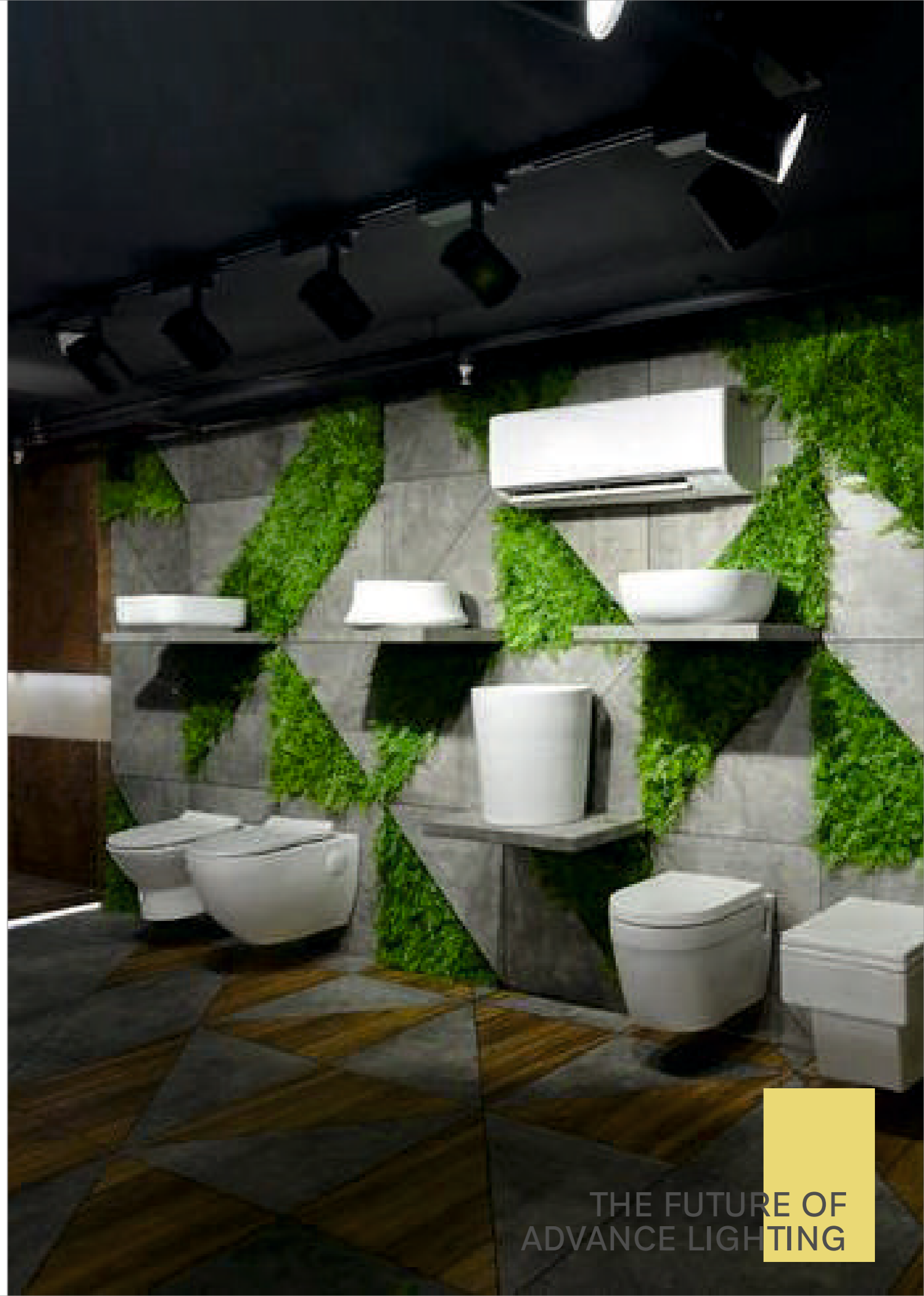


## Applications



## Product Specifications

WATT	35 WATT
INPUT	220-240V
CCT	6000K/4000K
MATERIAL	METAL
COLOUR	WHITE/BLACK
PF	>0.95
BEAM ANGLE	90°
LED	BRIGLUX/APISTAR
WARRANTY	3 YEAR



THE FUTURE OF  
ADVANCE LIGHTING



# LXN577

## Features

- Laxen uses LED chip with excellent color rendering properties that increases the color fidelity of the illuminated target object
- Sleek and unique design
- High efficiency dimmable driver to match customer expectation is also available
- Specially design aluminum heat sink for enhance life
- Voltage Surge protection upto2.5KV
- Wide operating voltage range 110 to 300V AC
- COB Technology (Chip on Board)

## Available Features

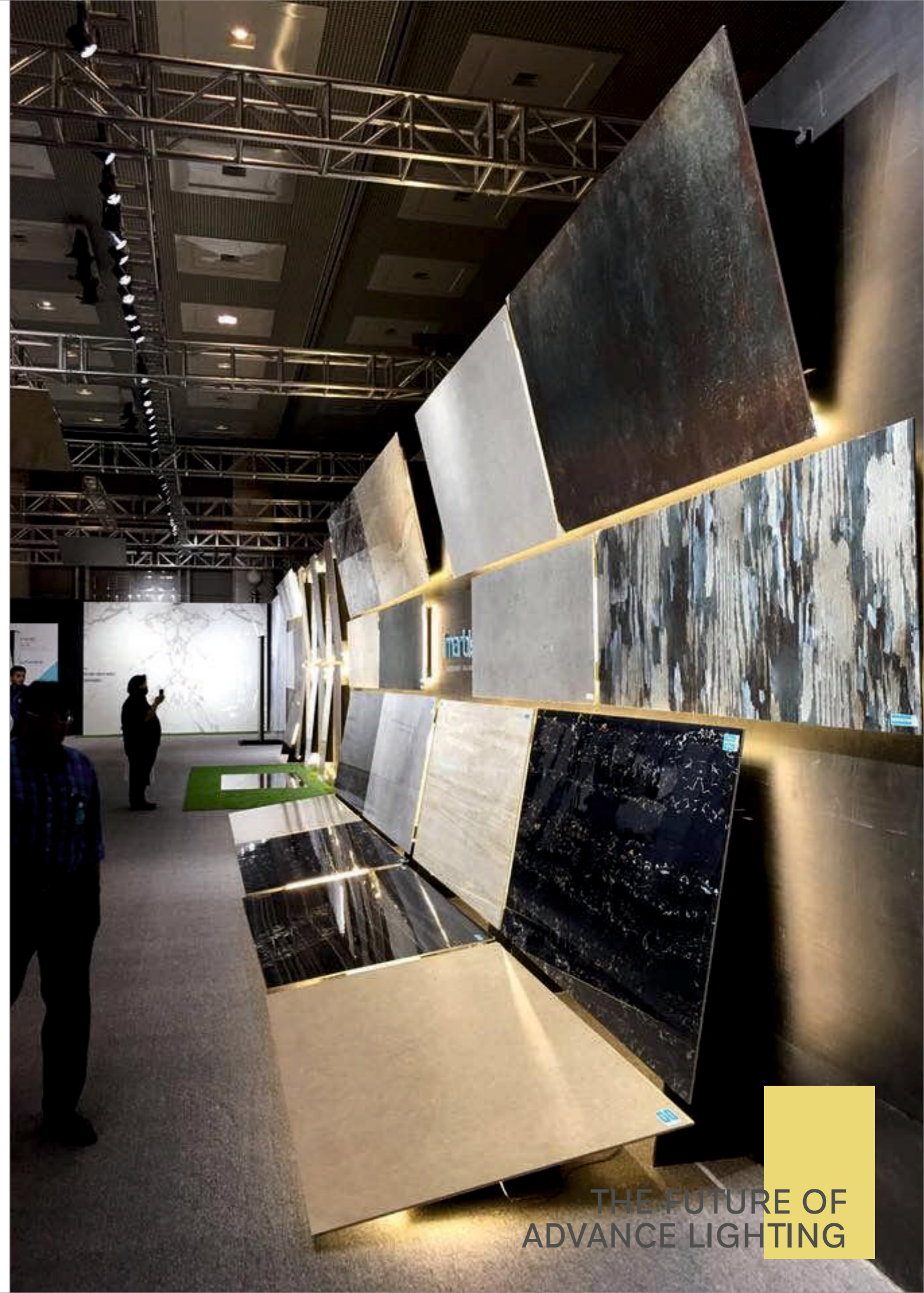


## Applications



## Product Specifications

WATT	30 WATT
INPUT	220-240V
CCT	6000K/4000K
MATERIAL	METAL
COLOUR	WHITE/BLACK
PF	>0.95
BEAM ANGLE	90°
LED	BRIGLUX/APISTAR
WARRANTY	3 YEAR



THE FUTURE OF  
ADVANCE LIGHTING





# LXN677

## Features

- Laxen uses LED chip with excellent color rendering properties that increases the color fidelity of the illuminated target object
- Sleek and unique design
- High efficiency dimmable driver to match customer expectation is also available
- Specially design aluminum heat sink for enhance life
- Voltage Surge protection upto2.5KV
- Wide operating voltage range 110 to 300V AC
- COB Technology (Chip on Board)

## Available Features



## Applications



## Product Specifications

WATT	30 WATT
INPUT	220-240V
CCT	6000K/4000K
MATERIAL	METAL
COLOUR	BLACK
PF	>0.95
BEAM ANGLE	90°
LED	BRIGLUX/APISTAR
WARRANTY	3 YEAR



THE FUTURE OF  
ADVANCE LIGHTING



# LXN678

## Features

- Laxen uses LED chip with excellent color rendering properties that increases the color fidelity of the illuminated target object
- Sleek and unique design
- High efficiency dimmable driver to match customer expectation is also available
- Specially design aluminum heat sink for enhance life
- Voltage Surge protection upto2.5KV
- Wide operating voltage range 110 to 300V AC
- COB Technology (Chip on Board)

## Available Features



## Applications



## Product Specifications

WATT	30 WATT
INPUT	220-240V
CCT	6000K/4000K
MATERIAL	METAL
COLOUR	BLACK
PF	>0.95
BEAM ANGLE	90°
LED	BRIGLUX/APISTAR
WARRANTY	3 YEAR



THE FUTURE OF  
ADVANCED LIGHTING



# LXN777

## Features

- Laxen uses LED chip with excellent color rendering properties that increases the color fidelity of the illuminated target object
- Sleek and unique design
- High efficiency dimmable driver to match customer expectation is also available
- Specially design aluminum heat sink for enhance life
- Voltage Surge protection upto2.5KV
- Wide operating voltage range 110 to 300V AC
- COB Technology (Chip on Board)

## Available Features

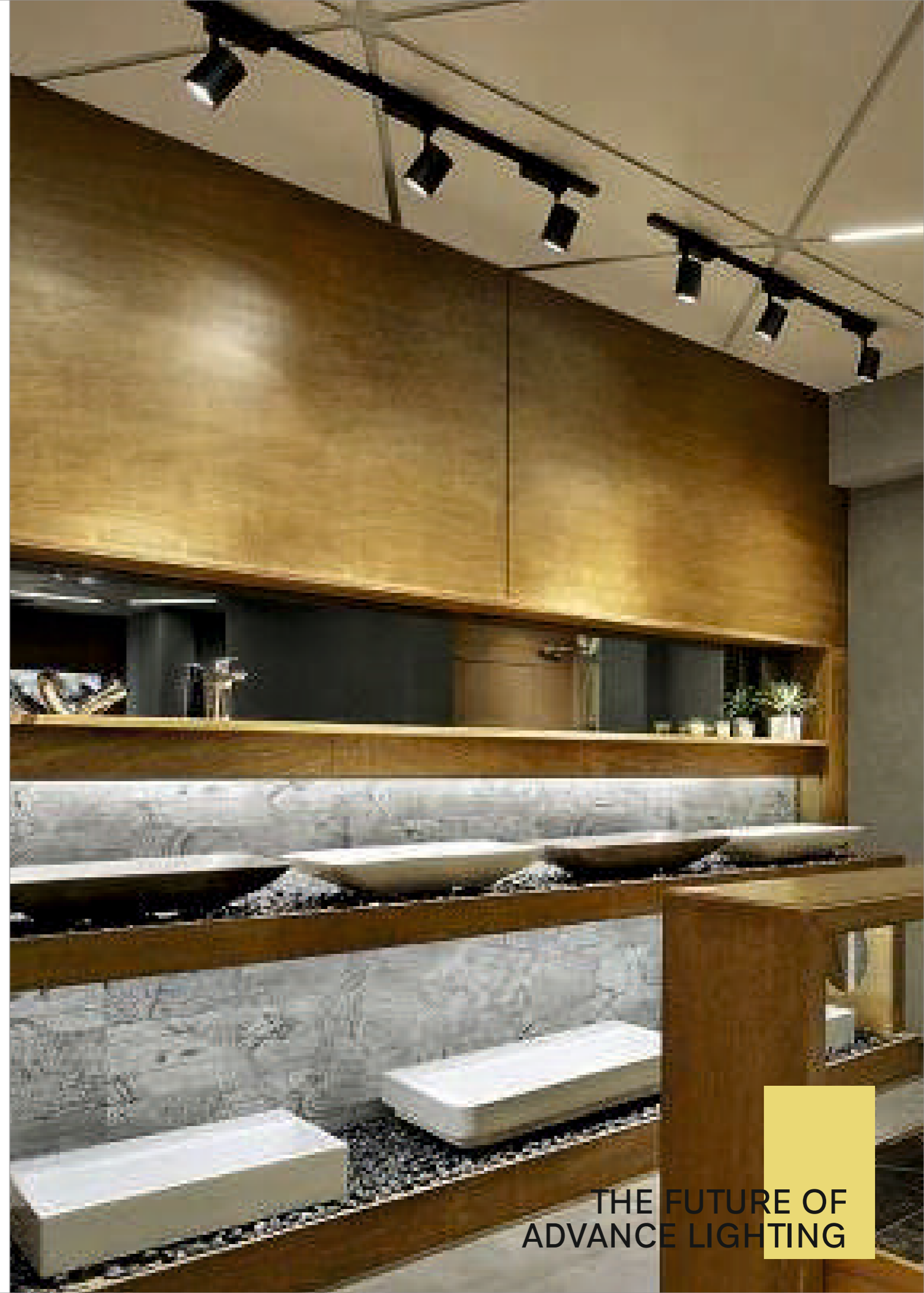


## Applications



## Product Specifications

WATT	50 WATT
INPUT	220-240V
CCT	6000K/4000K
MATERIAL	METAL
COLOUR	WHITE / BLACK
PF	>0.95
BEAM ANGLE	90°
LED	BRIGLUX/APISTAR
WARRANTY	3 YEAR



THE FUTURE OF  
ADVANCE LIGHTING



# LXN877

## Features

- Laxen uses LED chip with excellent color rendering properties that increases the color fidelity of the illuminated target object
- Sleek and unique design
- High efficiency dimmable driver to match customer expectation is also available
- Specially design aluminum heat sink for enhance life
- Voltage Surge protection upto2.5KV
- Wide operating voltage range 110 to 300V AC
- COB Technology (Chip on Board)

## Available Features



## Applications



## Product Specifications

WATT	50 WATT
INPUT	220-240V
CCT	6000K/4000K
MATERIAL	METAL
COLOUR	WHITE / BLACK
PF	>0.95
BEAM ANGLE	90°
LED	BRIGLUX/APISTAR
WARRANTY	3 YEAR



THE FUTURE OF  
ADVANCE LIGHTING

# OUTDOOR LIGHTING

Lorem Ipsum is simply dummy text of the printing and typesetting industry. Lorem Ipsum has been the industry's standard dummy text ever since the 1500s, when an unknown printer took a galley of type and scrambled it to make a type specimen book. It has survived not only five centuries.





# STREET LIGHT

## Features

- Lightweight design for be secured to any lamp-post
- Optimized batwing light distribution to accommodate different type of roads (different sized roads and different lamp-post layouts)
- Low glare control for visual comfort and eye safety for passers-by
- High luminous efficacy 120 LM/W
- IP-66 Ingress protection
- Dural Surge protection
- Upto 10K above 60W & 4.2KV below 60W

## Available Features



## Applications



## Product Specifications

MODEL NAME	LXN0777		
WATT	30	50	100
CUT SIZE	355x125x55	490x140x65	520x180x70

## Product Specifications

MODEL NAME	LXN0777			
WATT	24	36	48	60
CUT SIZE	350x100x60	390x135x60	400x185x50	500x210x55

## SPECIFICATION

FINISH & MATERIAL	GREY & DIE CASTING
BEAM ANGLE	120°
CCT	6000K
POWER FACTOR	>0.95
LUMENS	140/WATT
IP RATING	IP 65
INPUT VOLTAGE	AC 85-265V



THE FUTURE OF  
ADVANCE LIGHTING



# FLOOD LIGHT

## Features

- Voltage surge protection upto 4.2KV
- Aluminum heat sink is provided along with aluminum PCB which helps in proper heat dissipation
- Housing made of aluminum die-cast
- Upto 90% saving compared with Halogen Lamp
- IP 65 construction for least maintenance and upmost performance in challenging environment
- High luminous efficiency 120LM/W
- IP-65 Ingress Protection

## Available Features



## Applications



## Product Specifications (Flood Light 7777)

MODEL NAME	LXN 7777		
WATT	50	100	200
SIZE	240x210x60	280x255x70	310x345x80

## Product Specifications (Flood Light 0007)

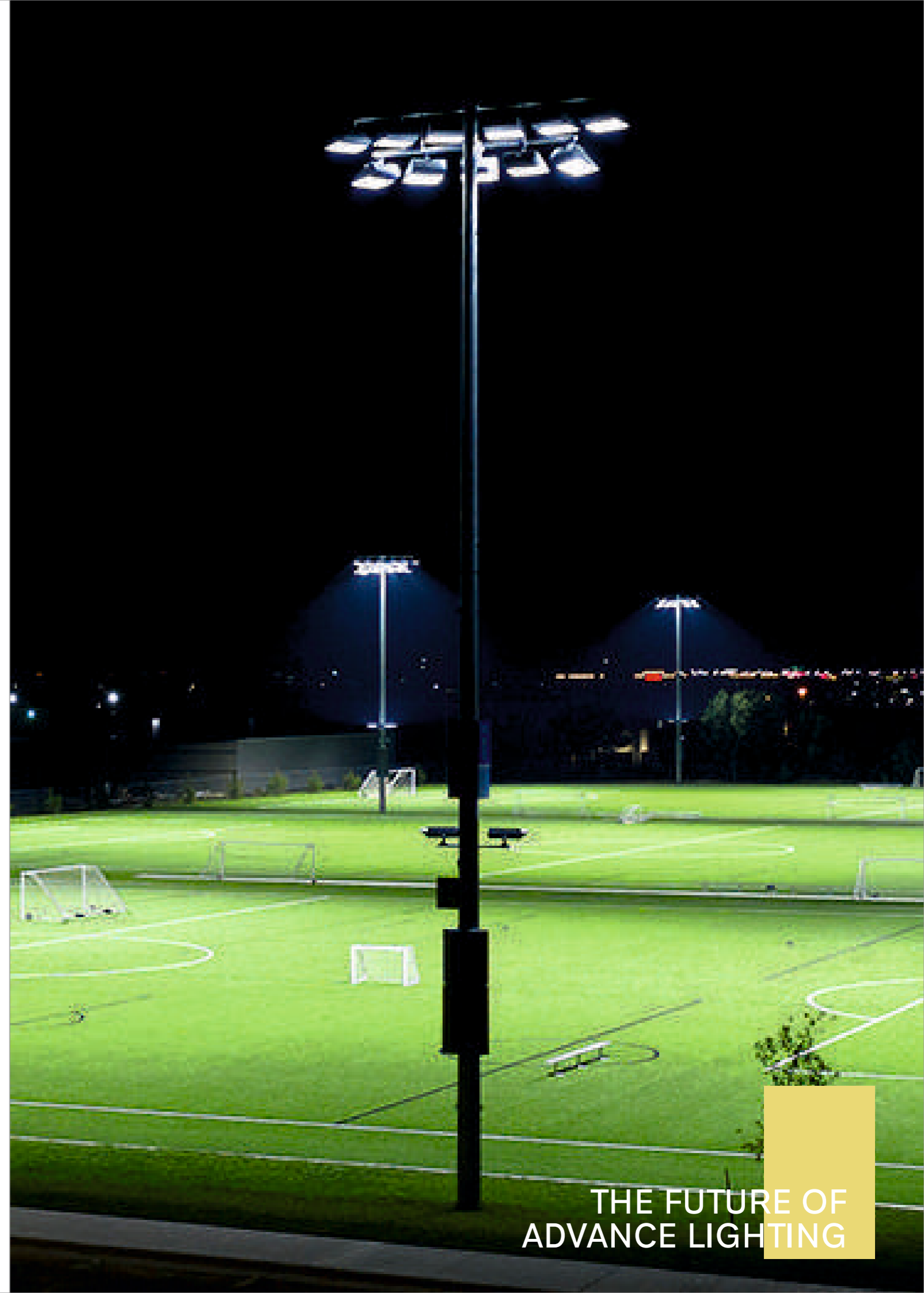
MODEL NAME	LXN0007		
WATT	50	100	200
CUT SIZE	240x210x50	285x255x55	310x345x80

## Product Specifications (Flood Light Orange 0077)

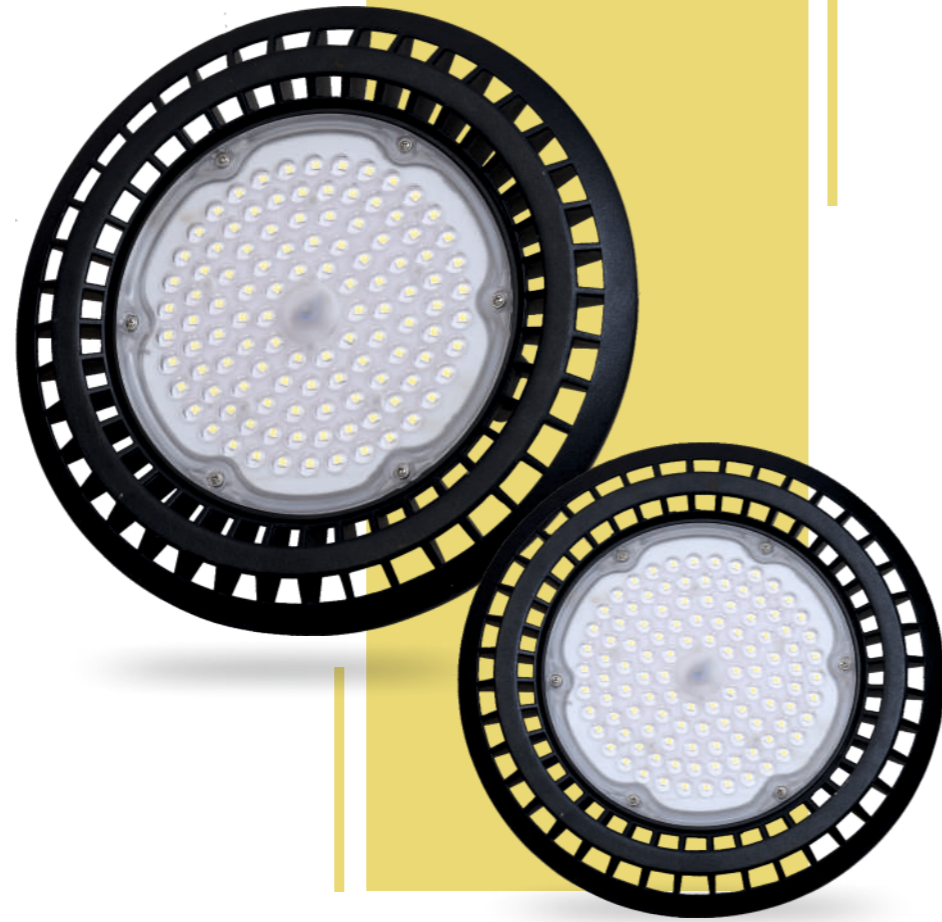
MODEL NAME	LXN0007		
WATT	50	100	150
CUT SIZE	240x235x55	295x285x75	340x330x75

## SPECIFICATION

FINISH & MATERIAL	GREY & DIE CASTING
BEAM ANGLE	120°
CCT	6000K
POWER FACTOR	>0.95
LUMENS	140/WATT
IP RATING	IP 65
INPUT VOLTAGE	AC 85-265V



THE FUTURE OF  
ADVANCE LIGHTING



# HIGH BAY LIGHT

## Features

- High efficacy fixture having luminous efficacy >110 LM/W, replacing up to 400w metal- halide high bay fixture
- Reflector is made of spun aluminum provides glare free light
- Convection heat sink (fins structure) leads to excellent thermal management
- IP-54 construction for least maintenance and upmost performance in challenging environments
- Voltage surge protection up to 10KV above 60W & 4.2KV below 60W

## Available Features



## Applications



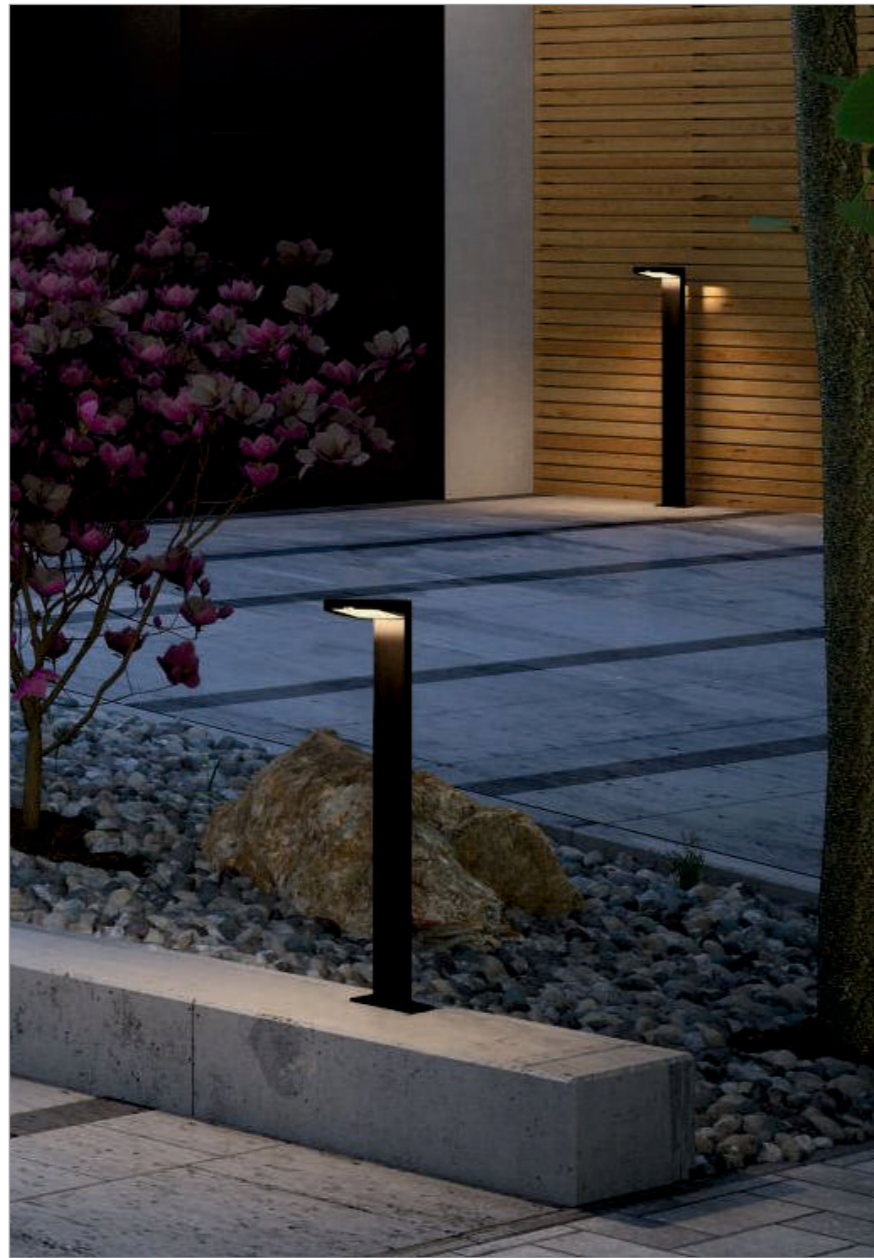
## Product Specifications

WATT	100 WATT	200 WATT
SIZE	250 MM	350 MM
FINISH & MATERIAL	BLACK & DIE CASTING	BLACK & DIE CASTING
BEAM ANGLE	120°	120°
CCT	6000K	6000K
POWER FACTOR	>0.95	>0.95
LUMENS	140/WATT	140/WATT
IP RATING	IP 65	IP 65
INPUT VOLTAGE	AC 85-265V	AC 85-265V
SPD	4KV-6KV	4KV-6KV



THE FUTURE OF  
ADVANCE LIGHTING

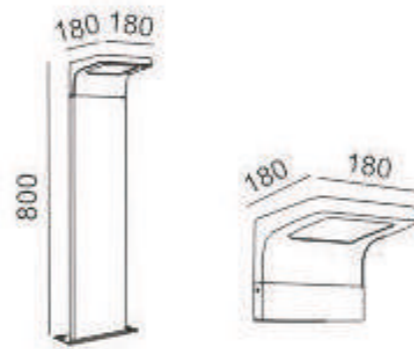




LXN001

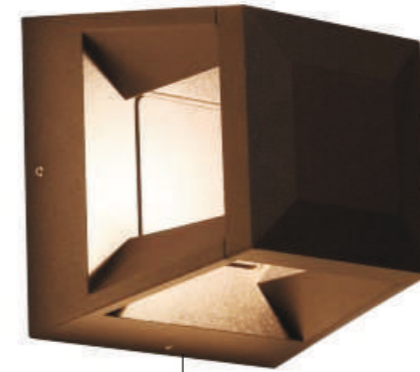


LXN002



**Product Specifications**

Model	LXN001	LXN002
LED WATT	15 W	15 W
CRI	≥80	≥80



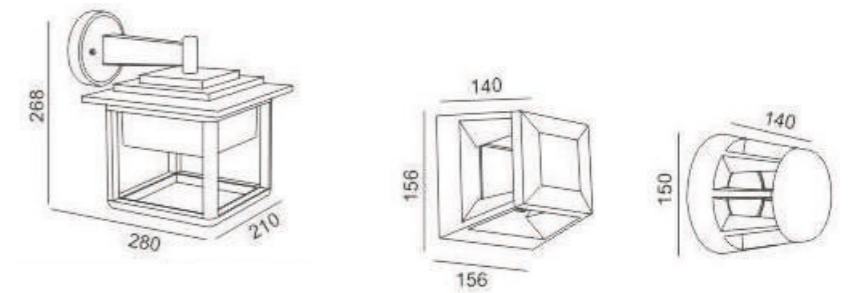
LXN003



LXN004



LXN005



**Product Specifications**

Model	LXN003	LXN004	LXN005
LED WATT	7 W	7 W	9 W
CRI	≥80	≥80	≥80





LXN006



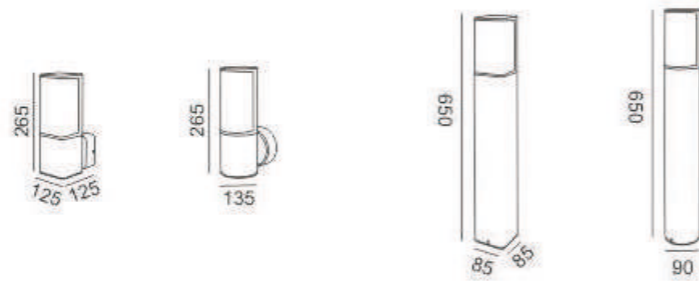
LXN007



LXN008



LXN009



**Product Specifications**

Model	LXN006	LXN007	LXN008	LXN009
LED WATT	12 W	12 W	12 W	12 W
CRI	≥80	≥80	≥80	≥80



LXN010



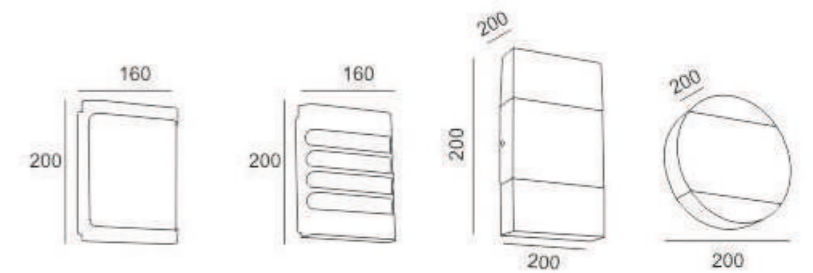
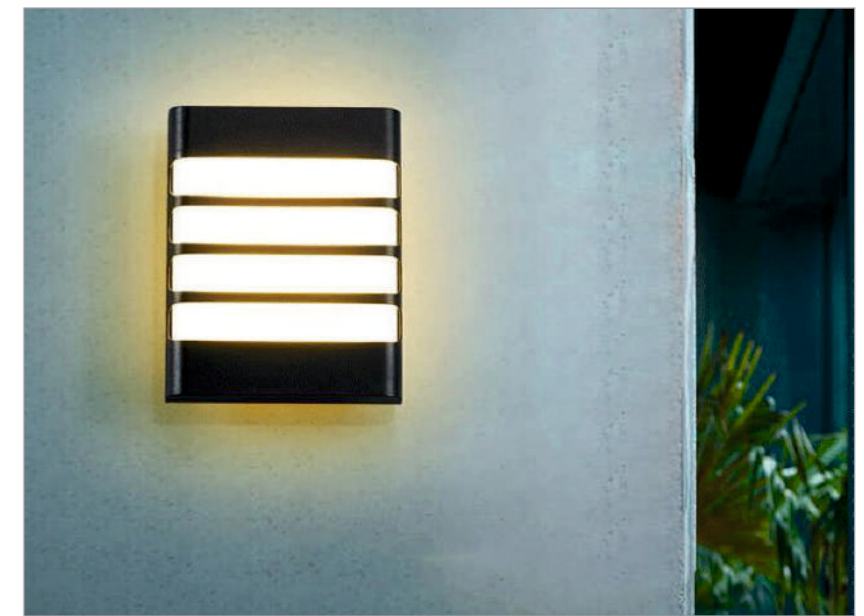
LXN011



LXN012



LXN013



**Product Specifications**

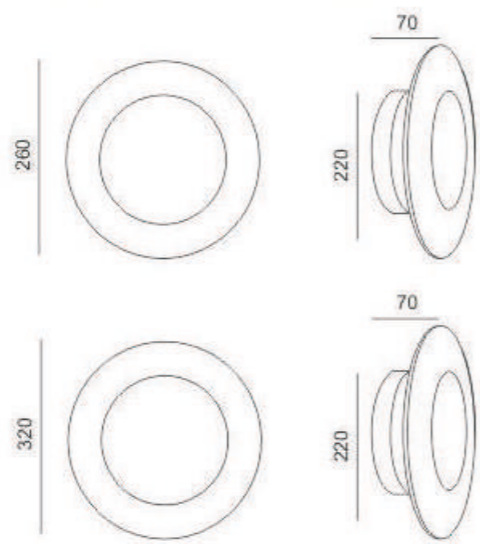
Model	LXN010	LXN011	LXN012	LXN013
LED WATT	14 W	14 W	10 W	10 W
CRI	≥80	≥80	≥80	≥80



LXN014



LXN0



**Product Specifications**

Model	LXN014	LXN015
LED WATT	15 W	20 W
CRI	≥80	≥80



LXN011

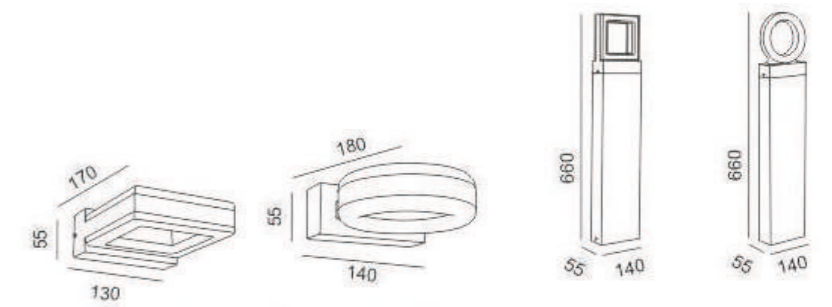


LXN012



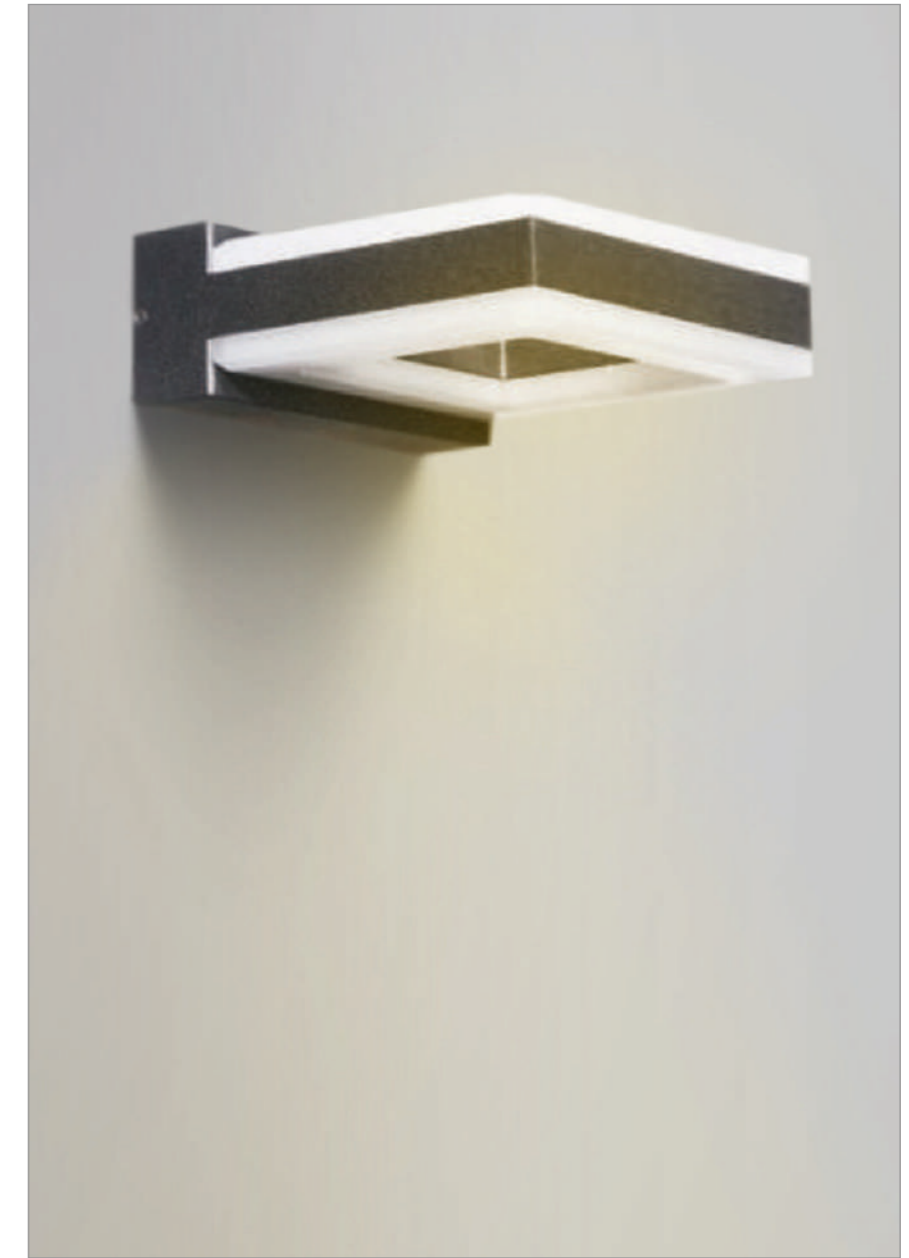
LXN013

LXN014



**Product Specifications**

Model	LXN011	LXN012	LXN013	LXN014
LED WATT	12 W	12 W	12 W	12 W
CRI	≥80	≥80	≥80	≥80

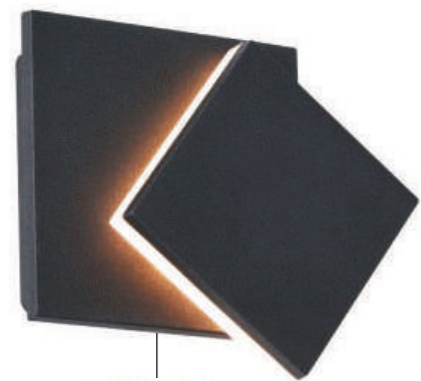




LXN015



LXN016

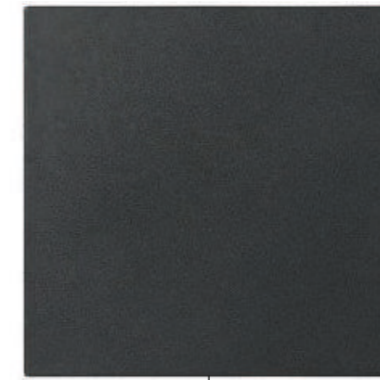


LXN017



**Product Specifications**

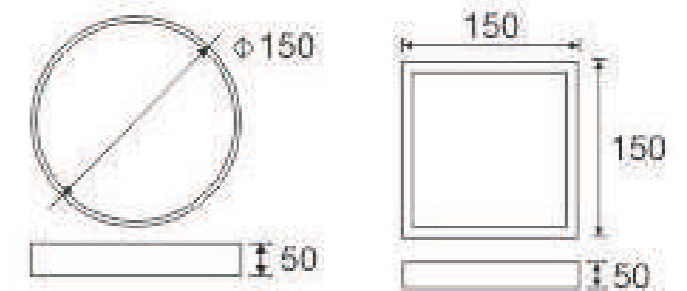
Model	LXN015	LXN016	LXN017
LED WATT	12 W	7 W	7 W
CRI	≥80	≥80	≥80



LXN018



LXN019



**Product Specifications**

Model	LXN018	LXN019
LED WATT	10 W	10 W
CRI	≥80	≥80



LXN020



LXN021



LXN022



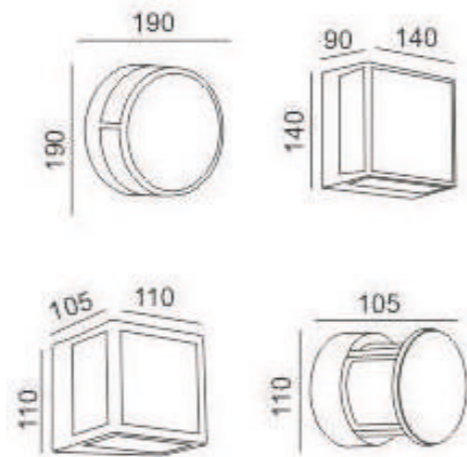
LXN023



LXN024



LXN025



**Product Specifications**

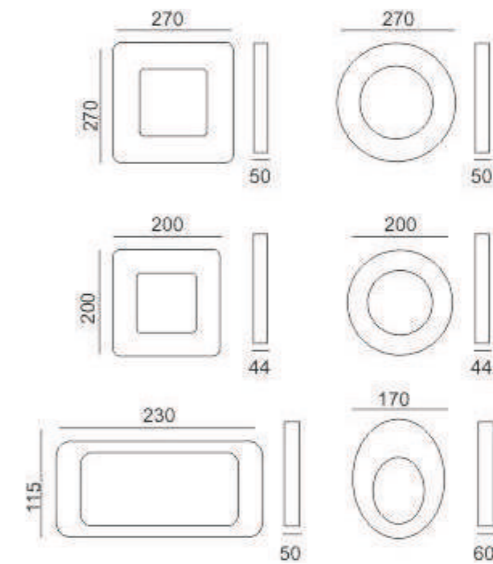
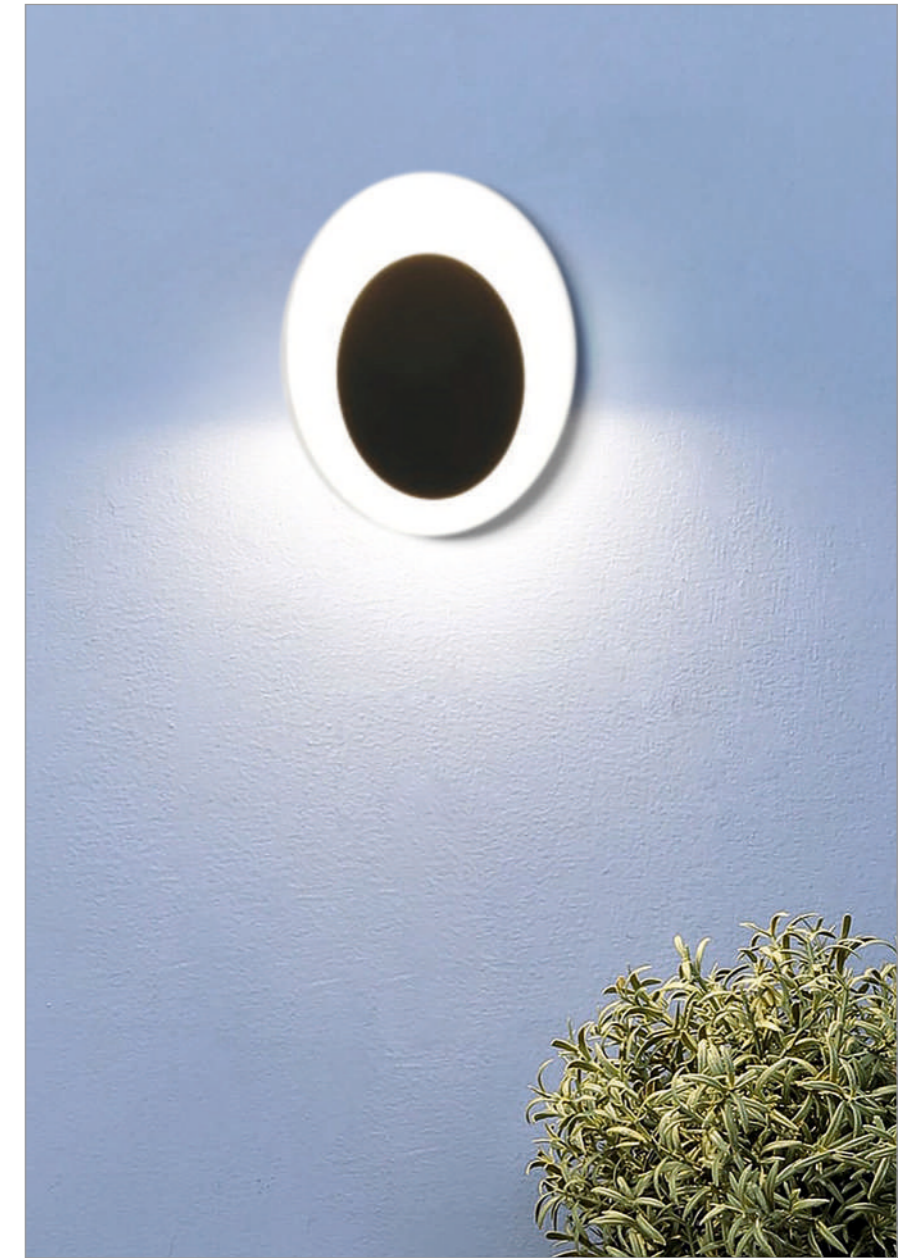
Model	LXN020	LXN021	LXN022	LXN023	LXN024	LXN025
LED WATT	12 W	9 W	7 W	7 W	7 W	12 W
CRI	≥80	≥80	≥80	≥80	≥80	≥80



LXN026



LXN027



**Product Specifications**

Model	LXN026	LXN027	LXN028	LXN029	LXN030	LXN031
LED WATT	9 W	9 W	14 W	20 W	14 W	20 W
CRI	≥80	≥80	≥80	≥80	≥80	≥80



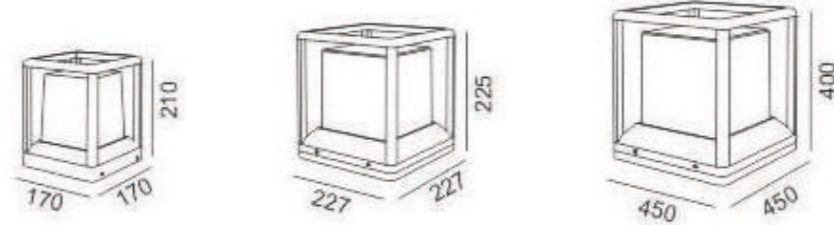
LXN032



LXN033



LXN034



**Product Specifications**

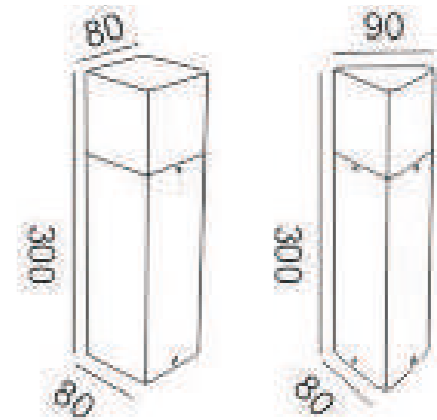
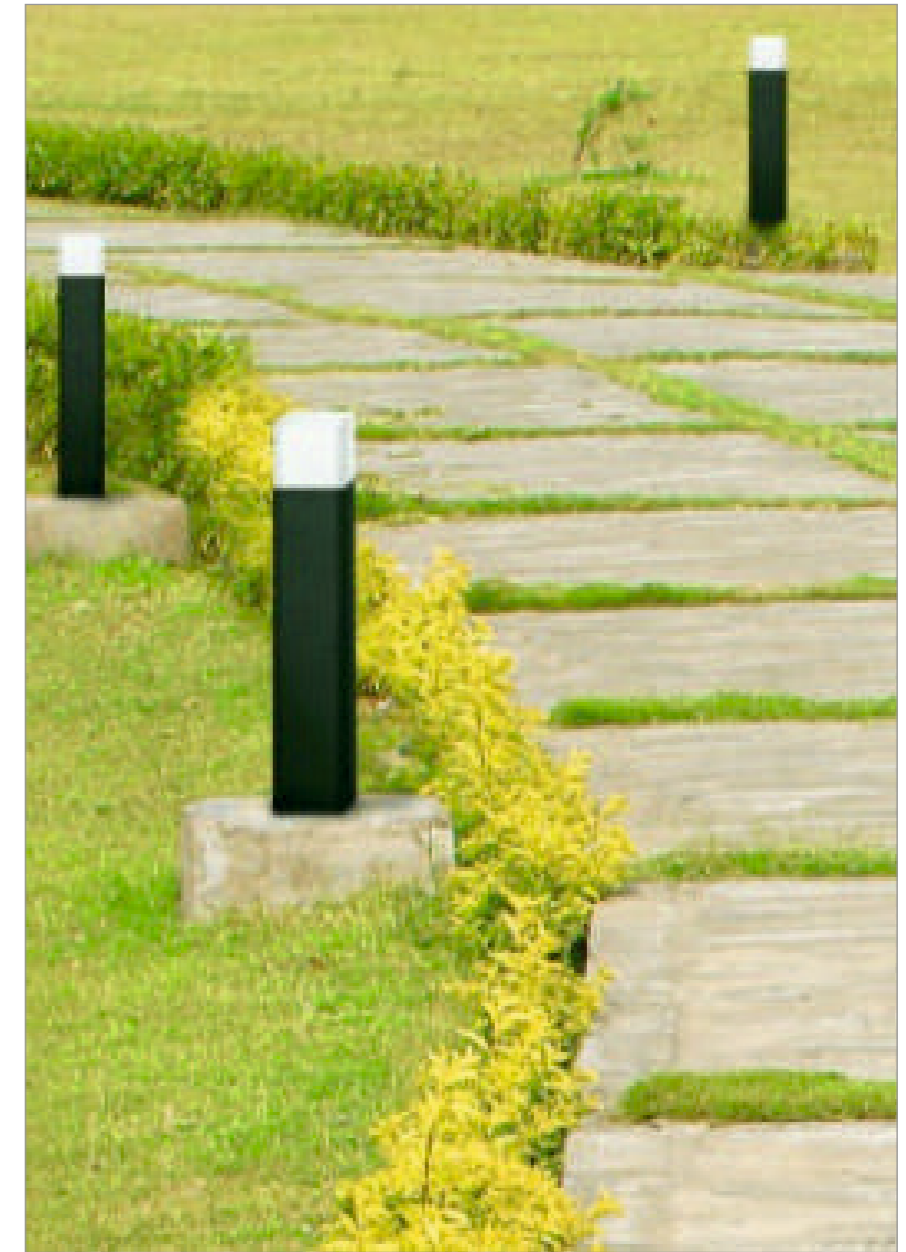
Model	LXN032	LXN033	LXN034
LED WATT	E27 15 W	E27 25 W	E27 45 W
CRI	≥80	≥80	≥80



LXN035



LXN036

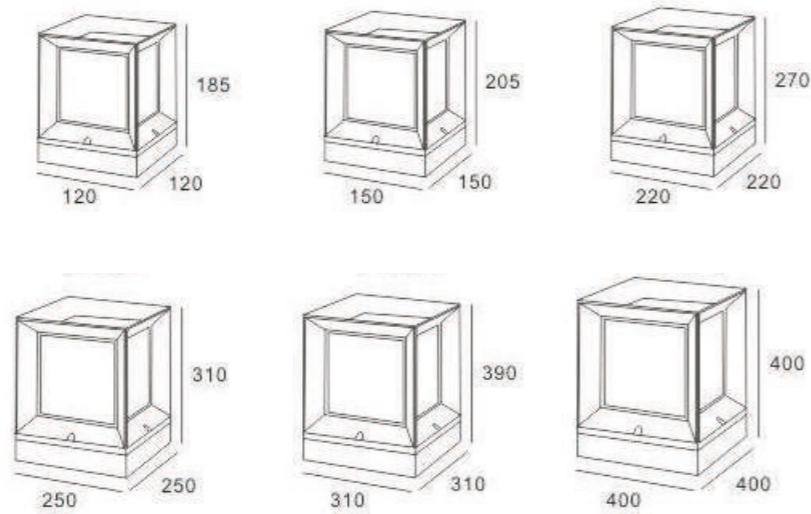


**Product Specifications**

Model	LXN035	LXN036
LED WATT	E27 15 W	E27 15 W
CRI	≥80	≥80



LXN037

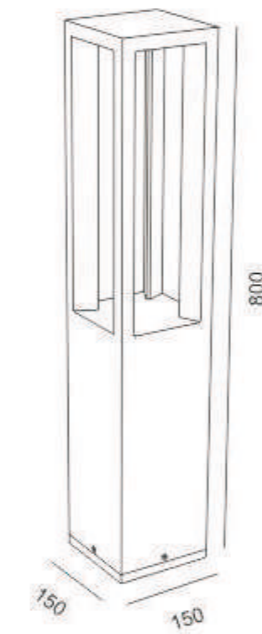
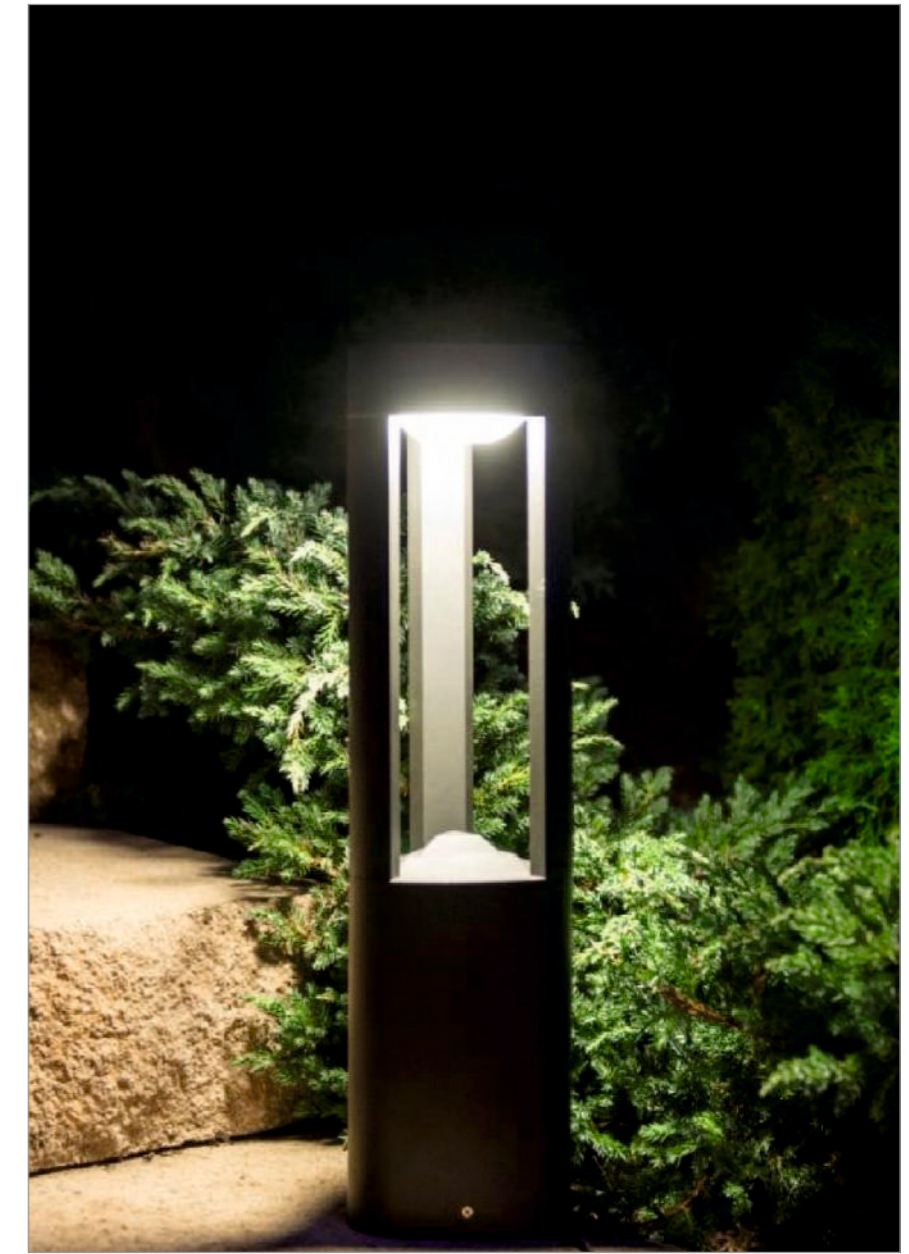


**Product Specifications**

Model	LXN037-1	LXN037-2	LXN037-3	LXN037-4	LXN037-5	LXN037-6
LED WATT	E27 10W	E27 15W	E27 18W	E27 25W	E27 30W	E27 45W
CRI	≥80	≥80	≥80	≥80	≥80	≥80



LXN038



**Product Specifications**

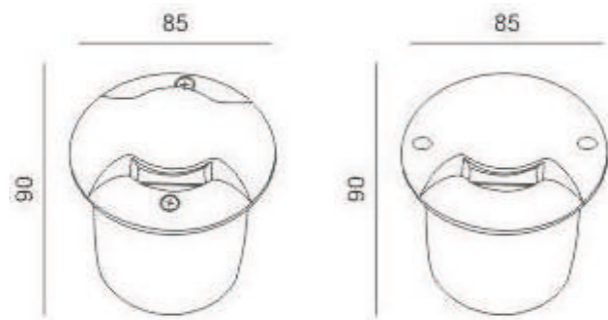
Model	LXN038
LED WATT	8 W
CRI	≥80



LXN039



LXN040



**Product Specifications**

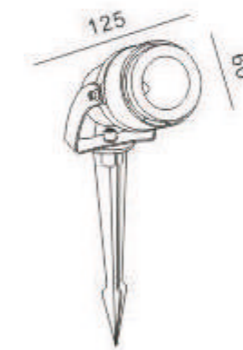
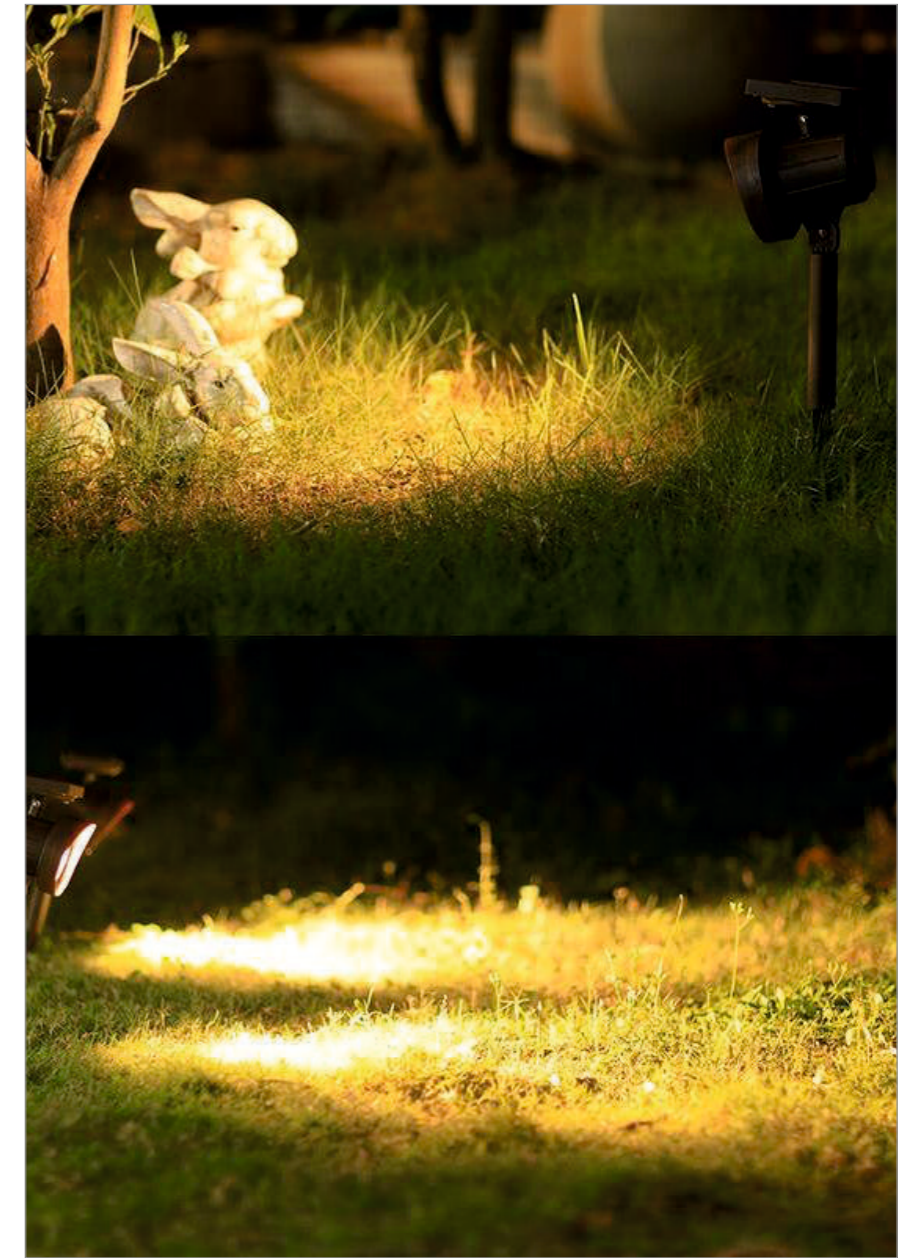
Model	LXN039	LXN040
LED WATT	2W	2W
CRI	≥80	≥80



LXN041



LXN042



**Product Specifications**

Model	LXN041-1	LXN041-2	LXN041-3	LXN041-4	LXN041-5	LXN042
LED WATT	10W	20W	30W	40W	60W	7W
CRI	≥80	≥80	≥80	≥80	≥80	≥80